



RS102

RS150

RS122



K85RS

**Description**

The push fittings of the RS series, are used for sanitary water distribution systems or for heating/cooling uses with **annealed or drawn copper pipes**. The use of RS fittings does not require particular mechanical or electric equipment, but common tools with obvious simplification of the building site equipment. Some of the prerogatives that distinguish this series, are the bodies made of forged brass to have high mechanical performance, the sealing O-ring that is suitable to the use of alimentary fluids and it is placed upstream of the block package, the toothed ring made of stainless steel and the external diameter of the pipe to be connected that is clearly printed on the fitting bags.

**Versions and product codes**

Series	Product codes	Size	Fitting version
RS102	RS102Y004	12x12	straight
	RS102Y007	16x16	straight
RS122	RS122Y004	12x12	90° angle
	RS122Y007	16x16	90° angle
RS150	RS150Y007	16x16	T shape

**Technical data**

- Connections: drawn or annealed copper pipes
- Temperature range: 5÷110 °C
- Max working pressure: 10 bar

**Materials**

- Body: forged brass CW617N EN12165
- Compression bushes: AISI 301 stainless steel
- Bush fastener ring: CW614N EN12164 brass
- Safety ring against accidental unthreading: polymer

**Description**

Connection kit for radiant ceiling panels including demountable push fittings for **annealed or drawn copper pipes** of the RS series, with safety ring against accidental unthreading.

Hose made of butyl rubber with low oxygen permeability, in compliance with DIN 4726 standard with stainless steel braiding.

**Versions and product codes**

Product codes	Pipe Ø [mm]	Lenght [mm]	Connections
K85RSY001	13	750	RS12 - RS12
K85RSY002	13	400	RS12 - 1/2" F nut
K85RSY003	13	900	RS12 - RS12
K85RSY022	16	750	RS16 - RS16
K85RSY023	16	900	RS16 - RS16
K85RSY101	13	400	RS12 - RS16

**Technical data**

- Connections: drawn or annealed copper pipes
- Temperature range: 5÷90 °C
- Max working pressure: 10 bar

**Materials**

- Body: forged brass CW617N EN12165
- Compression bushes: AISI 301 stainless steel
- Bush fastener ring: CW614N EN12164 brass
- Safety ring against accidental unthreading: polymer
- Hose made of butyl rubber having low oxygen permeability



**Installation**



**Warning.**  
The RS push fittings must be connected only with drawn or annealed copper pipes.



**NB.**  
The connection ends of Giacomini ceiling panels, with C75, C100 activation, are ready for the installation of the RS fittings.

1) In order to mount the RS push fittings with drawn or annealed copper, proceed by using a roller pipe cutter. The cut must be clean and the pipe where the fitting will be introduced, must be free from deformation, ovality, butt. Possible burrs of the pipe make the mounting of the fitting difficult and besides this, they could engrave the sealing O-ring by damaging it irreversibly.

2) For the mountings of RS fittings, it is important to mark with a marker pen a notch at the distance of 30 mm from the pipe head. The size corresponds to the socket depth of the fitting and it is equivalent to the introduction length needed for the mounting. This operation helps the user by giving him higher safety in the assemblies. The complete introduction of the pipe into the fitting is essential to ensure the locking and avoid unthreading.

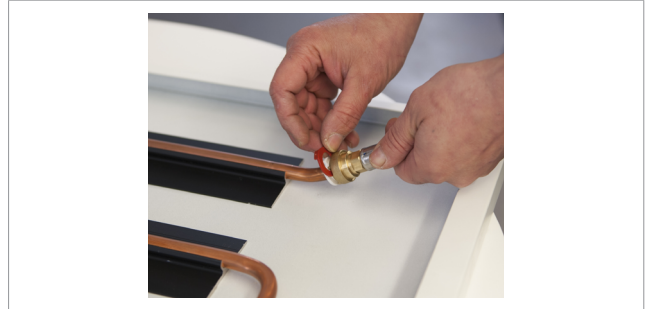


3) The pipe that has been cut, calibrated and opportunely deburred before the insertion of the push fitting should be slightly lubricated with silicone grease to facilitate the slipping without damaging the O-ring of the fitting. Do not lubricate the internal part of the fitting, not to hurt unintentionally with the toothed blocking ring made of steel.



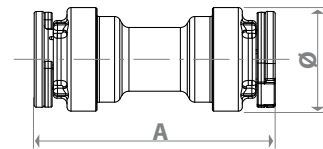
**Removal of the fittings**

1) Remove the red safety clip.

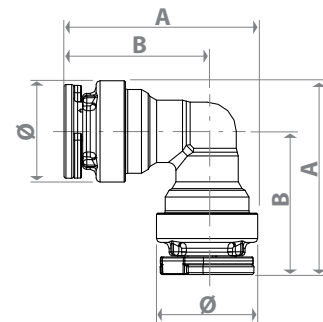


2) Unthread the fitting by exercising a sufficient force.

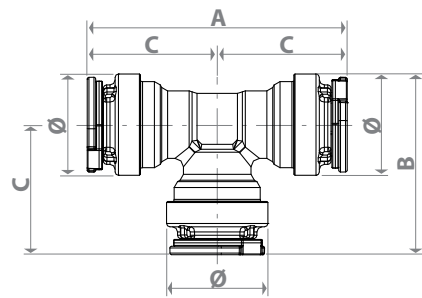
**Dimensions**



Product codes	Size	A [mm]	Ø [mm]
RS102Y004	12x12	61	26
RS102Y007	16x16	61	30



Product codes	Size	A [mm]	B [mm]	Ø [mm]
RS122Y004	12x12	50	37	26
RS122Y007	16x16	53	38	30



Product codes	Size	A [mm]	B [mm]	C [mm]	Ø [mm]
RS150Y007	16x16	77	54	39	30



## Guarantee

All products and components supplied by Giacomini are subjected to various controls to guarantee the high quality, proven by the certification of the quality management system, complying with UNI EN ISO 9001 standard. All products and components supplied by Giacomini are subjected to the guarantee and the responsibility indicated in the Directives 1994/44/CE, 2001/95/CE and 85/374/CEE.

The guarantee is not valid in the following cases:

- 1) If the fittings are used to distribute fluids that are not compatible with the materials.
- 2) If there are defects visually perceivable at the installation time or during the pressure tightness test of the system.
- 3) If the installation instructions are not scrupulously followed.
- 4) If the pipes connected to the fittings are made of not compatible materials or have not compatible dimensions.
- 5) If the fittings are installed on components that are not supplied by Giacomini, the guarantee is limited to the fittings, and it does not cover the system.

## Product specifications

### RS102

Straight push fitting, for drawn or annealed copper pipes. Demountable type connection. With safety ring against accidental unthreading. Body made of pressed brass CW617N EN 12165. Compression bush made of stainless steel AISI 301. Bush fastener ring made of brass CW614N EN 12164. Temperature range 5÷110 °C. Maximum working pressure 10 bar.

### RS122

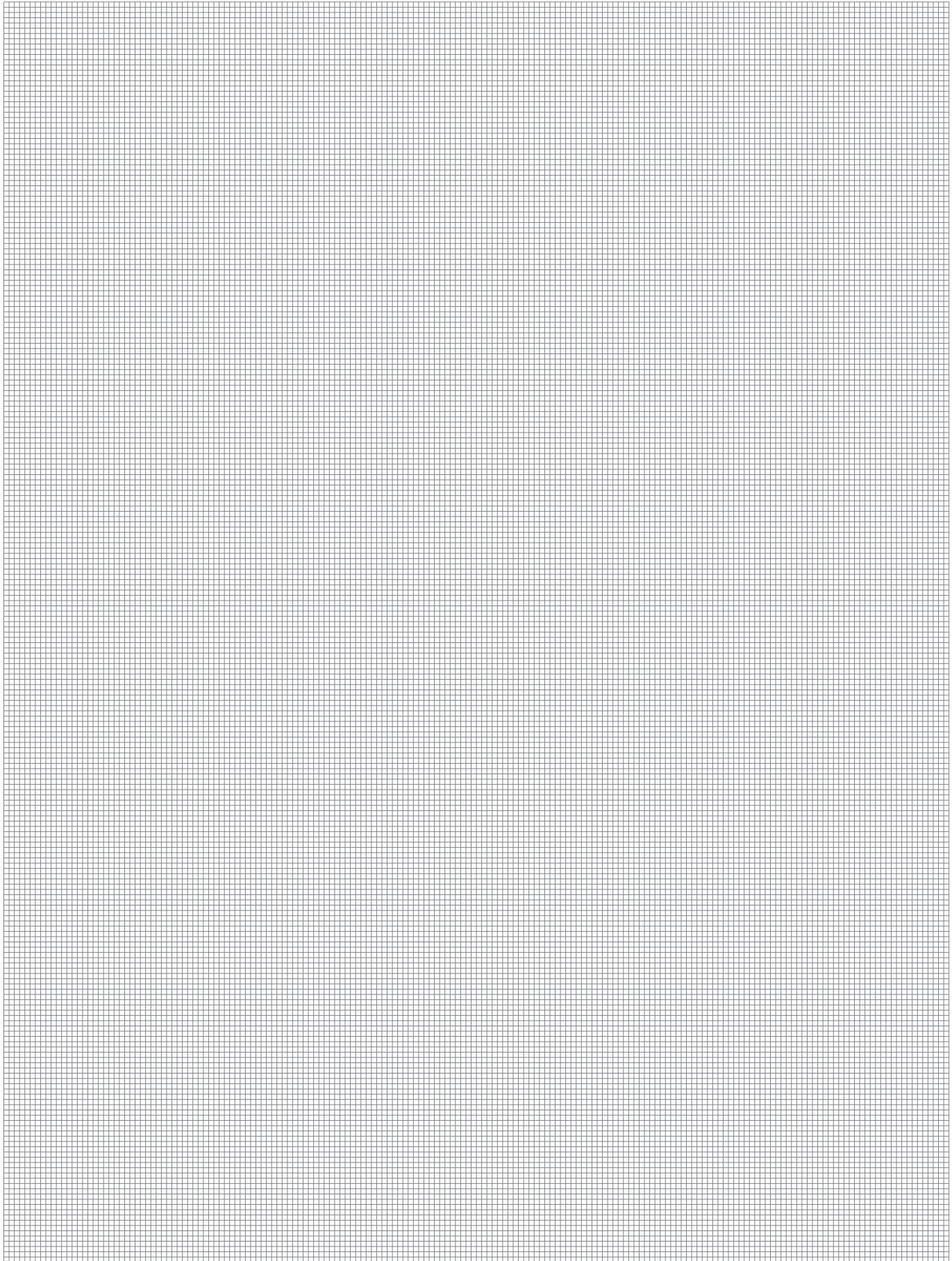
90° angle push fitting, for drawn or annealed copper pipes. Demountable type connection. With safety ring against accidental unthreading. Body made of pressed brass CW617N EN 12165. Compression bush made of stainless steel AISI 301. Bush fastener ring made of brass CW614N EN 12164. Temperature range 5÷110 °C. Maximum working pressure 10 bar.

### RS150

Tee push fitting, for drawn or annealed copper pipes. Demountable type connection. With safety ring against accidental unthreading. Body made of pressed brass CW617N EN 12165. Compression bush made of stainless steel AISI 301. Bush fastener ring made of brass CW614N EN 12164. Temperature range 5÷110 °C. Maximum working pressure 10 bar.

### K85RS

Connection kit for radiant ceiling panels complete with demountable push fittings for drawn or annealed copper pipes of the RS series, with safety ring against accidental unthreading. Flexible pipe made of butyl rubber having low oxygen permeability, complying with DIN 4726, with braiding in stainless steel. Temperature range 5÷90 °C. Maximum working pressure 10 bar.



**Additional information**

For additional information please check the website [www.giacomini.com](http://www.giacomini.com) or contact the technical service: ☎ +39 0322 923372 📠 +39 0322 923255 ✉ [consulenza.prodotti@giacomini.com](mailto:consulenza.prodotti@giacomini.com)  
This pamphlet is merely for information purposes. Giacomini S.p.A. retains the right to make modifications for technical or commercial reasons, without prior notice, to the items described in this pamphlet. The information described in this technical pamphlet does not exempt the user from following carefully the existing regulations and norms on good workmanship.  
Giacomini S.p.A. Via per Alzo, 39 - 28017 San Maurizio d'Opaglio (NO) Italy