



NOT MAGNETIZABLE



MAGNETIZABLE

R74A
Description

Inspectable Y filter, suitable for the distribution of non-hazardous fluids (group 2, according to the PED Directive) which are safe for use with copper alloys. The filter features a metallic mesh, which was designed to prevent solid impurities from entering into the piping and, by depositing residues, reducing the width of the passage, thus increasing losses of pressure and oxidation.

Versions and product codes

Product code	Size	Type
R74AY002	3/8"F	NOT magnetizable
R74AY003	1/2"F	
R74AY004	3/4"F	
R74AY005	1"F	
R74AY006	1 1/4"F	
R74AY007	1 1/2"F	
R74AY008	2"F	
R74AY009	2 1/2"F	
R74AY010	3"F	
R74AY011	4"F	
R74AY103	1/2"F	
R74AY104	3/4"F	
R74AY105	1"F	
R74AY106	1 1/4"F	
R74AY107	1 1/2"F	
R74AY108	2"F	

Materials - NOT magnetizable filters

- Body: UNI EN 12165 - CW617N brass for 3/8"÷1 1/4";
EN 1982 - CB753S brass for 1 1/2"÷2 1/2";
UNI EN 1982 - CB491K bronze for 3", 4"
- Cap: UNI EN 12165 - CW617N brass
- Gasket: EPDM
- Metallic mesh: AISI 304 stainless steel

Materials - magnetizable filters

- Body and cap: UNI EN 12165 - CW617N brass
- Gasket: EPDM
- Metallic mesh: AISI 304 stainless steel

Kv values

Product code	Kv
R74AY002	3,0
R74AY003	4,5
R74AY004	7,0
R74AY005	7,8
R74AY006	15,0
R74AY007	21,0
R74AY008	34,0
R74AY009	64,0
R74AY010	81,0
R74AY011	102,0

Product code	Kv
R74AY103	3,5
R74AY104	5,9
R74AY105	10,0
R74AY106	18,2
R74AY107	20,9
R74AY108	32,0

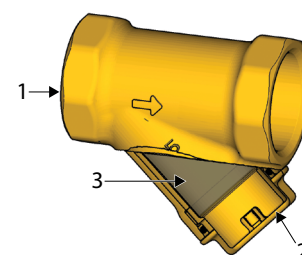
Optionals - for magnetizable filters

- **P74MY001**: magnetic kit for R74AY103, R74AY104 filters (length 29 mm)
- **P74MY002***: magnetic kit for R74AY105, R74AY106 filters (length 44 mm)
- **P74MY003***: magnetic kit for R74AY107, R74AY108 filters (length 56 mm)

* In preparazione

Technical data

- Temperature range: 5÷110 °C
- Max. working pressure for NOT magnetizable filters: 16 bar
- Max. working pressure for magnetizable filters: 30 bar
- Connections: female threaded ISO 228
- Filtering capacity: 500 µm

Components

Legend

1	Filter body
2	Cap
3	Metallic mesh

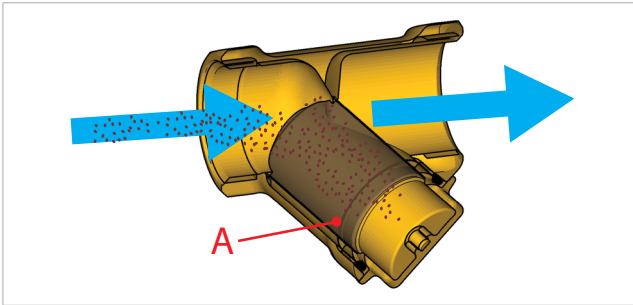
Operation

The flow enters the filter and is slowed down, allowing for the separation of the solid impurities present in the fluid.

The solid impurities are separated when they collide with the metal mesh (A), and then fall to the bottom.

The filter body is designed to make the most of the entire filtering surface, increasing the length of time for which it is functional before the mesh becomes completely dirty.

When this occurs, the filter can be extracted and cleaned under running water in order to clear the surface through which the water will pass.



Note.
R74A magnetizable filters can be equipped with an internal magnet that helps the metallic mesh to hold the iron impurities.

Installation

The R74A filter must always be fitted upstream of all of system components which could become damaged or less effective due to the presence of impurities.

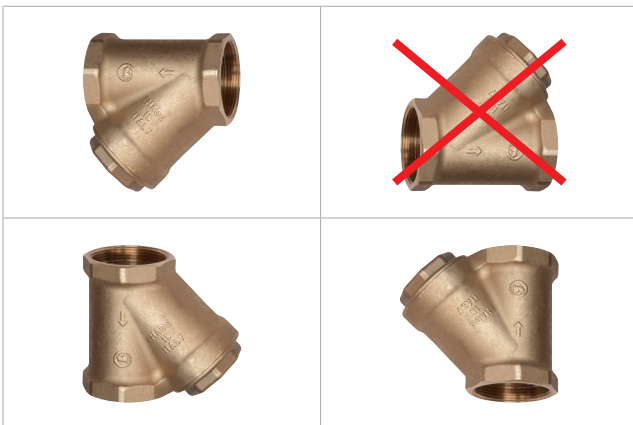
It is recommended to install shut-off valves upstream and downstream of the filter, to facilitate periodic maintenance.

It is usually installed at the entrance to the water supply system before the check valve, preventers and pressure reducers.

It can also be used in closed heating circuits at the entrance to the heat generator to protect the exchanger from any impurities originating from the system.

For increased efficiency with regard to filtering and deposit of solid impurities, it is advisable to install the filter body on the horizontal piping with the filter cap facing downwards.

For correct installation, please check the flow direction indicated by the arrow stamped on the filter body.



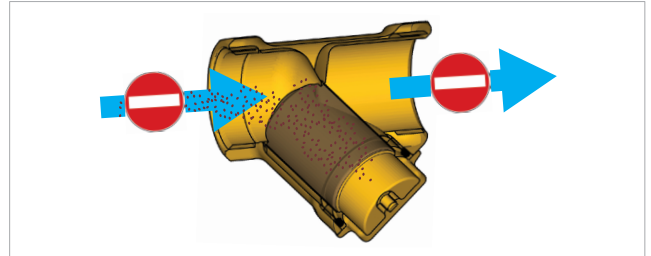
Warning.
It is recommended that, before installing the filter, the operating conditions of the system are checked, including pressure and temperature, in order to ensure that these are included in the operating range. It is important that the filter is accessible so that any necessary maintenance can be carried out.

Maintenance

Filter maintenance must be carried out as often as necessary, according to the level of impurities in the fluid being used.

Anyway, it is recommended that the filter is cleaned at least once a year to avoid excessive reductions in flow rate as well as the formation of irreversible build-up which necessitates the replacement of the filter mesh. To carry out the cleaning of the metallic mesh, proceed as described below:

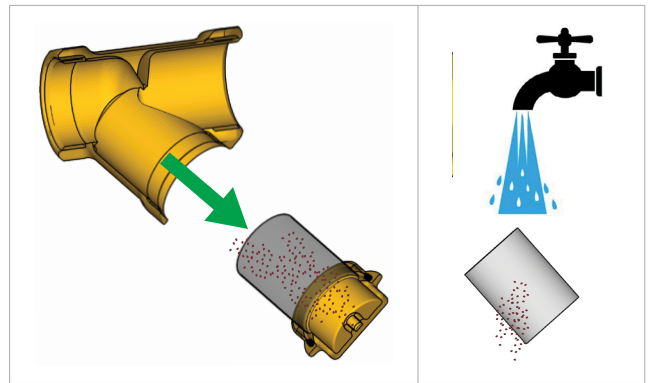
1) Close the shut-off valves upstream and downstream the filter.



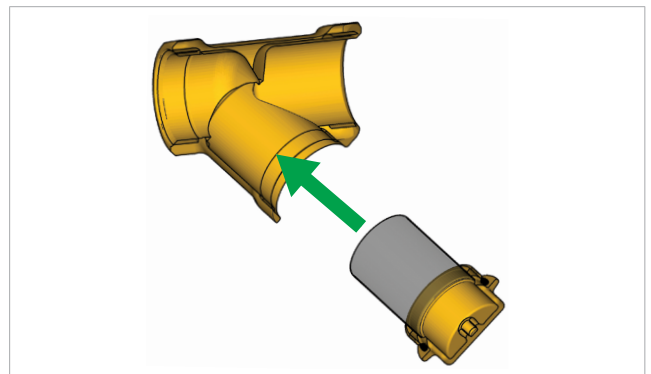
2) Unscrew the cap and remove the metallic mesh mounted on it.

3) Clean the metallic mesh under running water, using a plastic bristle brush. For easier cleaning, it is possible to temporarily remove the metal mesh from the cap.

Check that the surface of the filter is completely clean (where irreversible obstructions are present, or where the filter is broken, it will need to be replaced).



4) Replace the metal mesh on the cap and screw it on the filter body.



5) Open the shut-off valves upstream and downstream the filter.

Warning.
After the system filling phase is complete, the filter should be cleaned for the first time after a week of operation, to remove any obstruction from installation residue (metal shavings, sealing elements etc).

Conversion of R74A filters to R74M magnetic filters

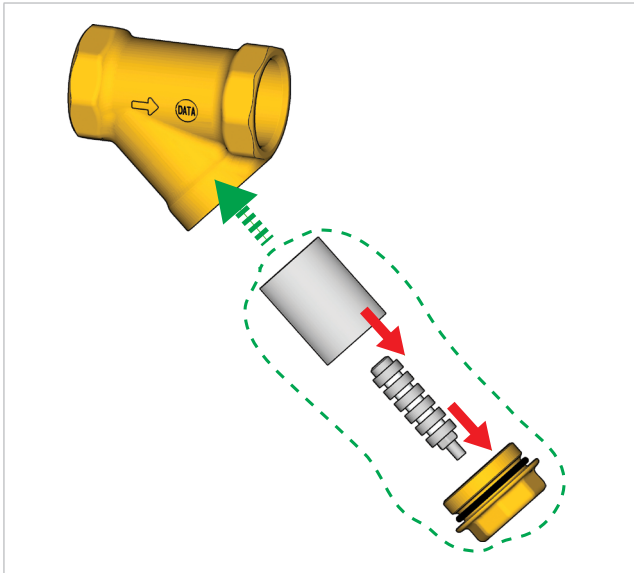
Filters from the R74A series can be transformed into magnetic filters, through the installation of the P74M kit.

Code R74A	Conversion kit P74M	Code R74M
R74AY103 R74AY104	+ P74MY001 =	R74MY003 R74MY004
R74AY105 R74AY106	+ P74MY002* =	R74MY005* R74MY006*
R74AY107 R74AY108	+ P74MY003* =	R74MY007* R74MY008*

* In preparation

Installation of P74M kit on R74A magnetizable filters

- 1) Unscrew the filter cap and metallic mesh mounted on it.
- 2) Screw the P74M magnet to the cap by means of the magnet screw and the threaded female connection situated inside the cap.
- 3) Screw the cap, equipped with metal mesh and magnet, on the filter body.
- 4) Apply the adhesive with the identification of the presence of magnet (provided with P74M kit) on the cap.

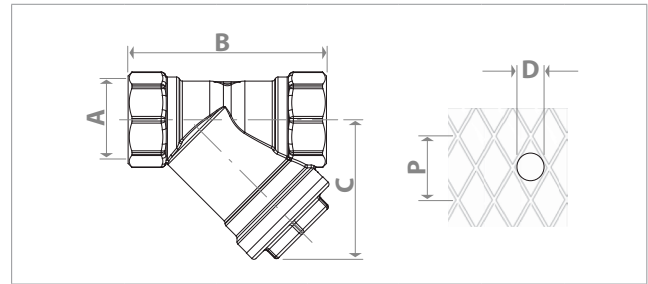


Warning.
The symbol on the R74M cap indicates the presence of magnetic fields, which can cause damage to electronic devices (including pacemakers) that are placed in close proximity.



Dimensions

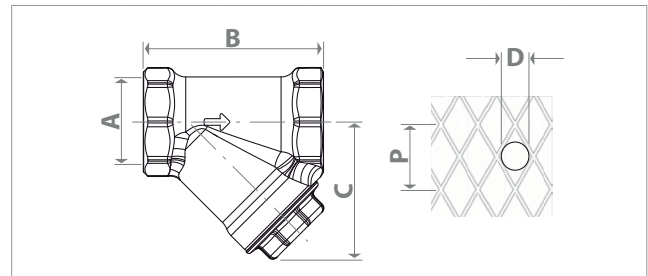
R74A not magnetizable



Code	A	B [mm]	C [mm]	P [mm]	D [µm]	N
R74AY002	3/8"	48	33	1	500	70
R74AY003	1/2"	52	34			
R74AY004	3/4"	63	42			
R74AY005	1"	75	50			
R74AY006	1 1/4"	91	63			
R74AY007	1 1/2"	102	70			
R74AY008	2"	118	87			
R74AY009	2 1/2"	150	108			
R74AY010	3"	167	148			
R74AY011	4"	226	185			

P: passage of holes
D: diameter of hole inscribed
N: number of holes per cm²

R74A magnetizable



Code	A	B [mm]	C [mm]	P [mm]	D [µm]	N
R74AY103	1/2"	48	34	1	500	70
R74AY104	3/4"	57	42			
R74AY105	1"	68	53			
R74AY106	1 1/4"	82	65			
R74AY107	1 1/2"	90	74			
R74AY108	2"	108	89			

P: passage of holes
D: diameter of hole inscribed
N: number of holes per cm²



Product specifications

R74A not magnetizable

Inspectable Y filter with stainless steel basket. Female threaded connection ISO 228. Brass body UNI EN 12165 CW617N for 3/8"÷1 1/4"; brass EN 1982 CB753S for 1 1/2"÷2 1/2"; bronze UNI EN 1982 CB491K for 3", 4". Cap in brass UNI EN 12165 CW617N. Gasket in EPDM. Temperature range 5÷110 °C. Max. working pressure 16 bar. Filtering capacity: 500 µm.

R74A magnetizable

Inspectable Y filter with stainless steel basket and possibility to install a magnetic kit. Female threaded connection ISO 228. Body and cap made of UNI EN 12165 CW617N brass. Gasket in EPDM. Temperature range 5÷110 °C. Max. working pressure 30 bar. Filtering capacity: 500 µm.

P74M

Kit composed by a magnet made of anisotropic ferrite coated parylene, male threaded screw and nut. For installation on R74A magnetizable filters or spare part for R74M filters.



European Directive 2014/68/UE

The product illustrated in this technical specification satisfies the requirements of Directive 2014/68/UE and is exempt from CE marking, according to Article 4.3.

Additional information

For more information, go to www.giacomini.com or contact our technical assistance service: ☎ +39 0322 923372 📠 +39 0322 923255 ✉ consulenza.prodotti@giacomini.com

This document provides only general indications. Giacomini S.p.A. may change at any time, without notice and for technical or commercial reasons, the items included herewith.

The information included in this technical sheet do not exempt the user from strictly complying with the rules and good practice standards in force.

Giacomini S.p.A. Via per Alzo, 39 - 28017 San Maurizio d'Opaglio (NO) Italy