



**R66A**

**Description**

It deals with a manual air vent valve for radiators. It has been designed to allow the rapid and safe vent of the air from the heat sources and from the systems, where there are accumulation points that involve circulation problems. Its features permit the use also in those cases when you need to make a spillage of liquids or emptying out equipment installed on the systems. The gasket that is preassembled on the valve facilitates the assembly operations, that do not require the addition of seal materials on the threads. The manoeuvre handwheel (equipped with opening stroke-end stop that prevents the disassembling) is made of high resistance synthetic material, characterised by low thermal conductivity that confer dimensional stability with consequent excellent keeping of the manoeuvrability to the various working temperatures.

**Versions and product codes**

Product code	Size
R66AX000	1/8"
R66AX001	1/4"
R66AX002	3/8"
R66AX003	1/2"

**Technical data**

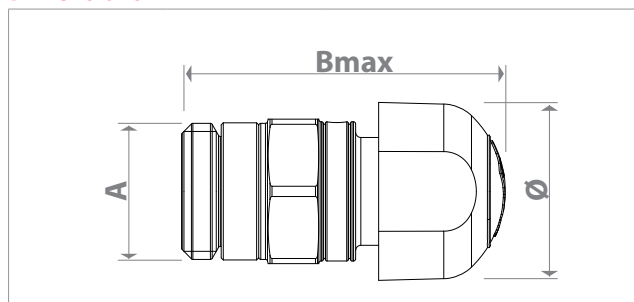
**Main features and materials**

- Connections: M (ISO 228)
- Chrome-plated brass body
- PTFE gaskets
- Plastic handwheel, high resistance

**Field of application**

- Temperature range: 5÷95 °C
- Max. working pressure: 10 bar
- Permitted fluids: water, compressed air

**Dimensions**

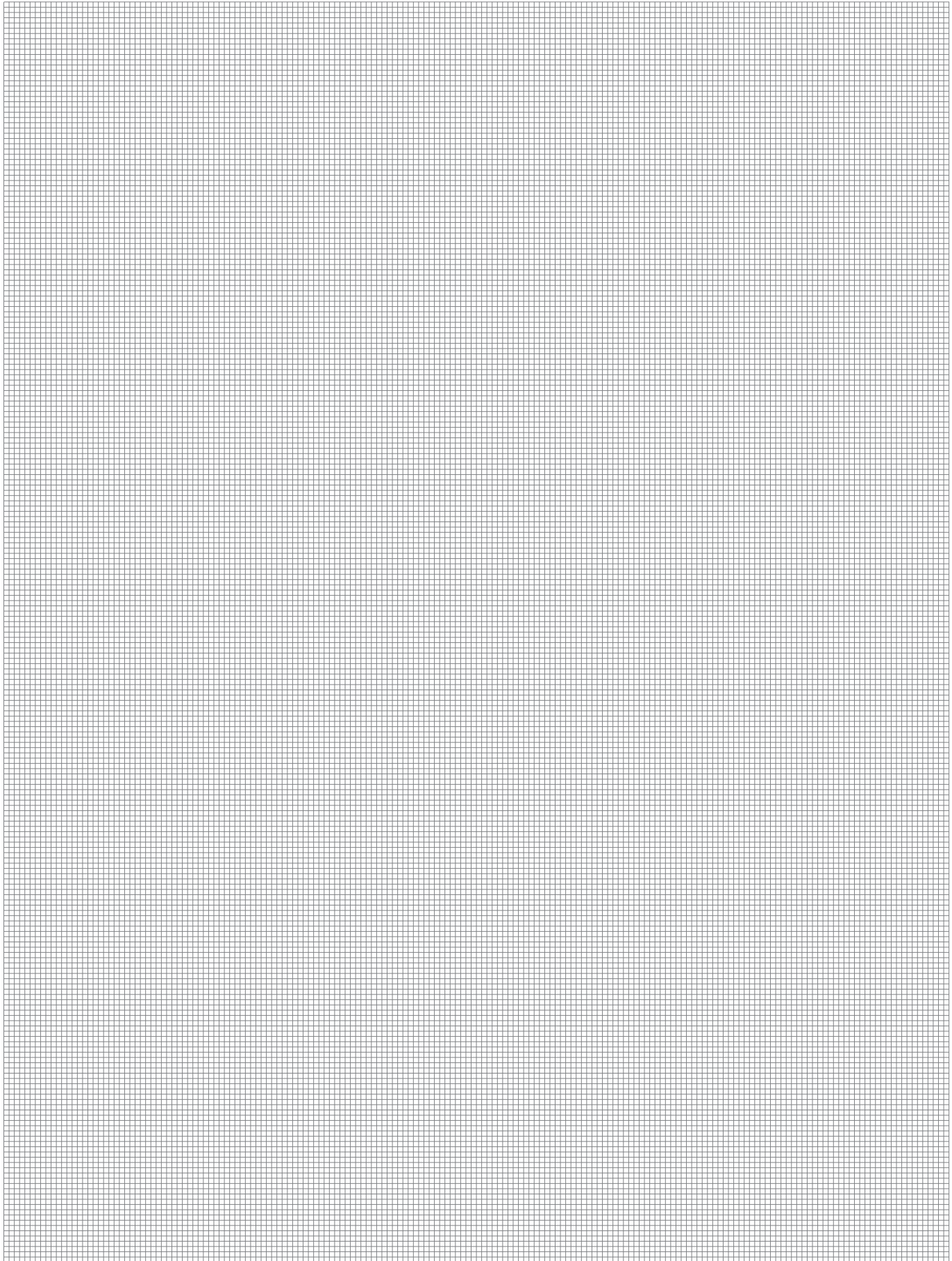


Product code	A	B <sub>max</sub> [mm]	Ø [mm]
R66AX000	1/8"	32	17
R66AX001	1/4"	33	17
R66AX002	3/8"	35	17

**Product specifications**

**R66A**

Manual air vent valve for radiators, with self-sealing gaskets in PTFE. Temperature range 5÷95 °C. Maximum working pressure 10 bar.



**Additional information**

For additional information please check the website [www.giacomini.com](http://www.giacomini.com) or contact the technical service: ☎ +39 0322 923372 📠 +39 0322 923255 ✉ [consulenza.prodotti@giacomini.com](mailto:consulenza.prodotti@giacomini.com)  
This pamphlet is merely for information purposes. Giacomini S.p.A. retains the right to make modifications for technical or commercial reasons, without prior notice, to the items described in this pamphlet. The information described in this technical pamphlet does not exempt the user from following carefully the existing regulations and norms on good workmanship.  
Giacomini S.p.A. Via per Alzo, 39 - 28017 San Maurizio d'Opaglio (NO) Italy