

R173

R173TG

**Description**

The telescopic tail piece models R173 (non self-sealing) and R173TG (with self-sealing) are ideal for facilitating plant restructuring operations. The length of the tail piece, which can be varied based on the installation requirements, ensures significant time savings and prevents the need for extensions, thus resulting in a simple and reliable assembly process. They can be mounted on all Giacotech series valves and holders.

**Versions and product codes**

Series	Product code	Size	Characteristics
R173	R173X002	3/8"	Chrome-plated
	R173X003	1/2"	
	R173X004	3/4"	
	R173X005	1"	
	R173X006	1 1/4"	
	R173X007 *	1/2" reduced 3/8"	
R173TG	R173X032	3/8"	Chrome-plated, with self-seal and nut
	R173X033	1/2"	
	R173X037 *	1/2" reduced 3/8"	



\*NB:  
Tail pieces R173X007 and R173X037: For 3/8" x 16 Giacotech series valves and holders

**Optionals and spare parts**

- P18L: chrome-plated nut for tail pieces

**Technical data**

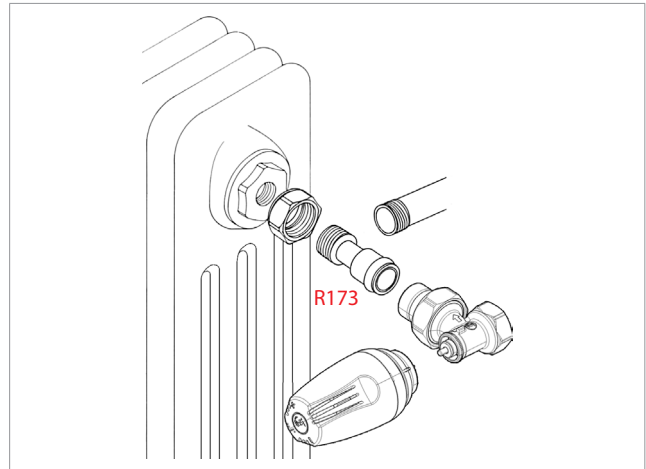
- Temperature range: 5÷110 °C
- Max. working pressure: 10 bar

**Materials**

- Body and nut: brass UNI EN 12165 CW617N
- Elastic ring: stainless steel
- Gaskets: PTFE
- Tail piece self-seal (R173TG only): EPDM

**Installation**

**Installation example**



**Dimensions**

Series	Product code	A [inc.] x B [mm]	Lmax [mm]	C [mm]	Lmin (Lmax - C) [mm]
R173	R173X002	3/8" x Ø 20	48	16	32
	R173X003	1/2" x Ø 24	50	16	34
	R173X004	3/4" x Ø 30	57	19	38
	R173X005	1" x Ø 37	63	21	42
	R173X006	1 1/4" x Ø 45	76	24	52
	R173X007	3/8" x Ø 24	47	16	31

Series	Product code	A x B	Lmax [mm]	C [mm]	Lmin (Lmax - C) [mm]
R173TG	R173X032	3/8" x 5/8"	57	16	39
	R173X033	1/2" x 3/4"	58	16	40
	R173X037	3/8" x 3/4"	58	16	40

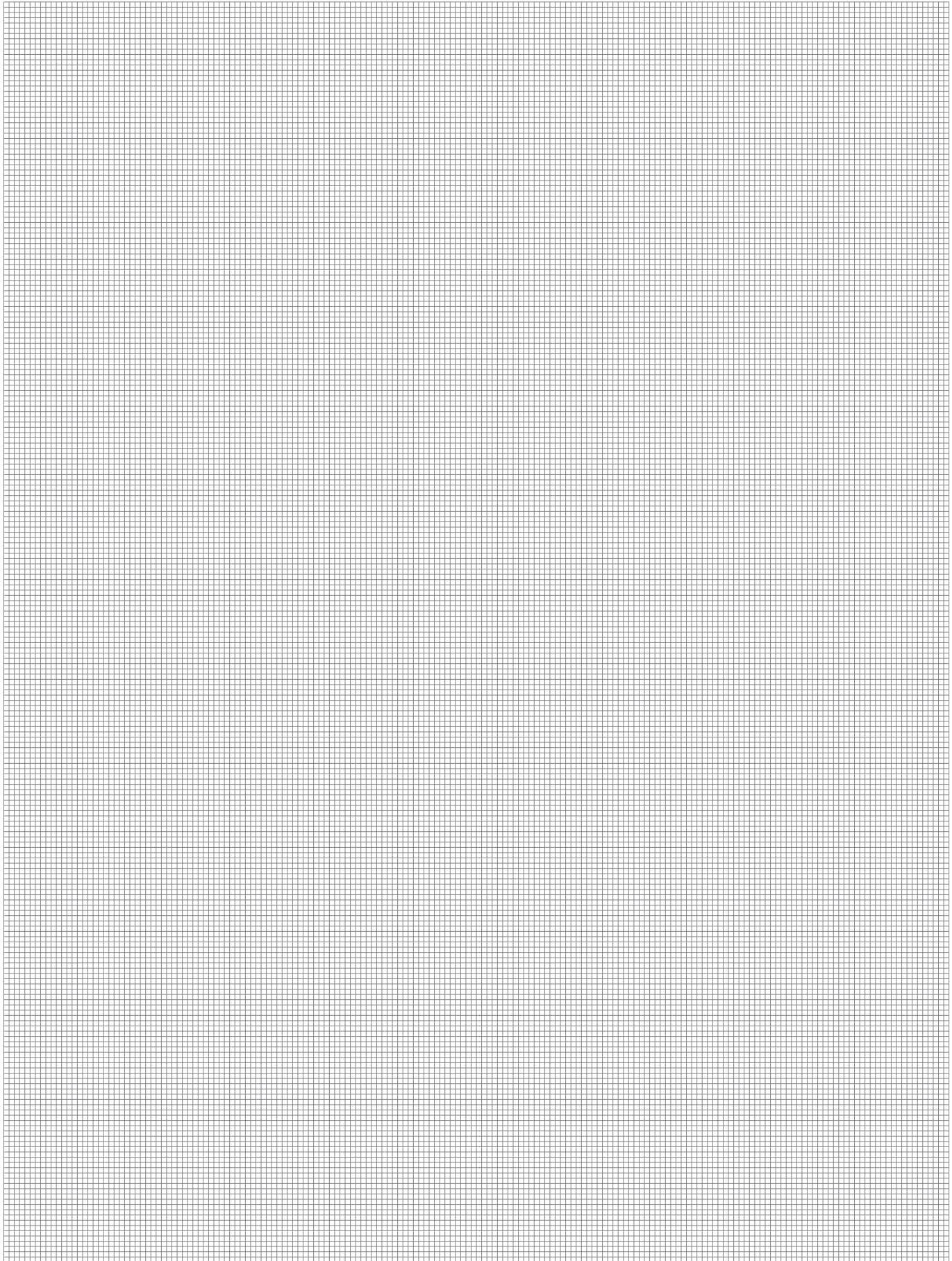
**Product specifications**

**R173**

Telescopic tail piece in brass (chrome-plated). Giacotech series valves and holders. For size 3/8" and 1/2" extension 16 mm; for size 3/4" extension 19 mm; for size 1" extension 21 mm; for size 1 1/4" extension 24 mm. Temperature range 5÷110 °C. Max. working pressure 10 bar. Combinable with P18L series nuts.

**R173TG**

Brass telescopic tail piece, chrome-plated, with EPDM self-seal and brass nut. Giacotech series valves and holders. Extension 16 mm. Temperature range 5÷110 °C. Max. working pressure 10 bar.



**Additional information**

For additional information please check the website: [www.giacomini.com](http://www.giacomini.com) or contact the technical service: ☎ +39 0322 923372 📠 +39 0322 923255 ✉ [consulenza.prodotti@giacomini.com](mailto:consulenza.prodotti@giacomini.com)  
This pamphlet is merely for information purposes. Giacomini S.p.A. retains the right to make modifications for technical or commercial reasons, without prior notice, to the items described in this pamphlet. The information described in this technical pamphlet does not exempt the user from following carefully the existing regulations and norms on good workmanship.  
Giacomini S.p.A. Via per Alzo, 39 - 28017 San Maurizio d'Opaglio (NO) Italy