



**K6C**

**Description**

K6C is a painted steel panel for installation on exposed T-shaped support structure with 24 mm base for 600x600 mm modular false-ceilings. K6C is an active panel equipped with n.4 75 mm wide anodized aluminium thermal diffusers factory-glued to the panels. The hydraulic circuit is made by a 12 mm copper pipe coil. Thermal insulation needs may be satisfied using the K820 polyester fibre thermoacoustic panel.

**Versions and product code**

Product code	Panel finish	Color	Activation	Module [mm]	Dimensions [mm]
K6CX300	micro-holes R2516	white RAL9003	type C75, 4 diffusers	600 x 600	575 x 575
K6LCX300	smooth	white RAL9003	type C75, 4 diffusers	600 x 600	575 x 575
K6CX200	micro-holes R2516	silver RAL9006	type C75, 4 diffusers	600 x 600	575 x 575
K6LCX200	smooth	silver RAL9006	type C75, 4 diffusers	600 x 600	575 x 575

**Optionals and spare parts**

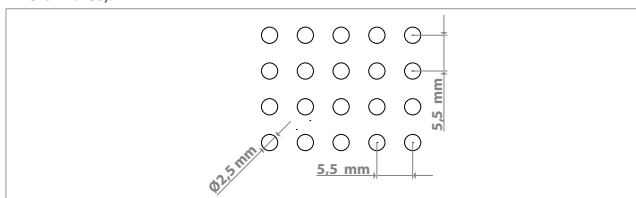
**K820:** polyester fibre thermoacoustic panels (optional)  
**PGK06X002:** metal suspension wire (spare part)

**Technical data**

- C75 activation (4 anodized aluminium thermal diffusers)
- Anchoring to T-shaped support structure
- Piping: 12 mm copper pipe
- Panel: 6/10 galvanized steel
- Panel dimensions: 575x575 mm, 0,6 mm thick
- False-ceiling modules: 600x600 mm
- Fire reaction class: 0
- Kv = 0,95
- Panel water content: 0,16 l

**Standard micro-holes**

Available as smooth and with micro-holes; the latter presents 2,5 mm micro-holes on the entire surface, except for a 15 mm wide perimetral area (16% micro-holes).

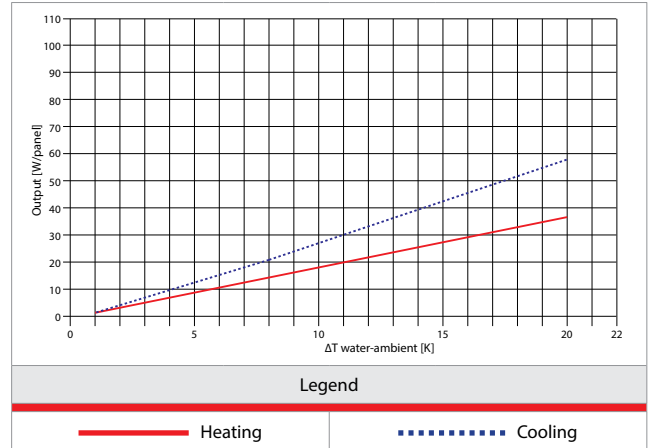


**Nominal output**

- Heating (according to EN14037): 87,3 W/m<sup>2</sup> with a 10K water-ambient ΔT.
- Cooling (according to EN14240): 96,9 W/m<sup>2</sup> with an 8k water-ambient ΔT.

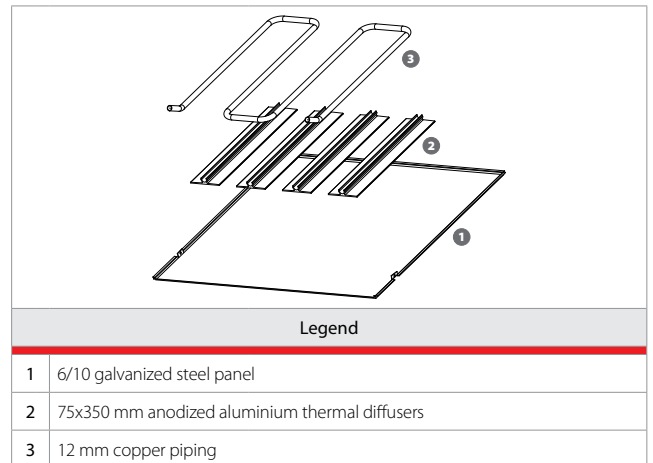


**Note.**  
Output for single panel compliant with tests in thermostatic chamber according to EN14240 and EN14037.



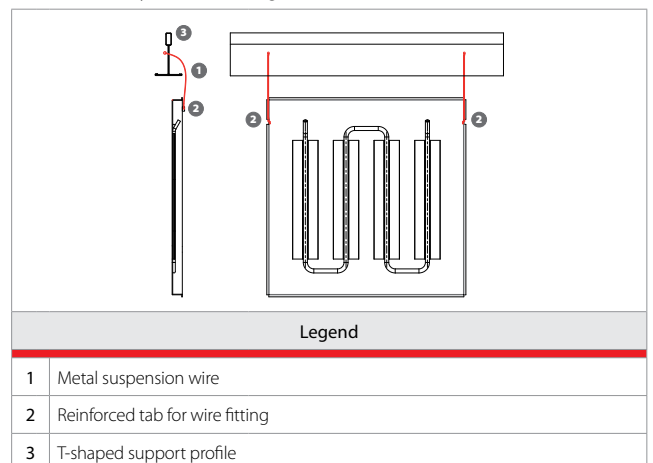
**C75 activation**

Active panels are equipped with n.4 75x350 mm factory-glued thermal diffusers.



**Anchoring to T-shaped support structure**

The panel provides for connection of two PGK suspension wires to be anchored to the T-shaped support structure during assembly. The panel can be detached and left hanging from the two suspension wires to access the false-ceiling and plenum for inspection or maintenance of other installations also when the system is running.





**Connection**

	Type 1 connection	Type 2 connection
<p><b>Panel-panel connection</b></p>	<p>Panel-panel and panel-manifold connections are provided by straight RC102 or angle RC122 push-fittings and a 12x1,5 mm anti-oxygen plastic pipe, R986-1 series.</p> <p>RC102X004 (12 x 12 mm)      RC122X004 (12 x 12 mm)</p> <p>R986SY100 (12 x 1,5 mm)      RC900Y011 (12 x 1,5 mm)</p>	<p>Panel-panel connections are provided by the K85RS 900 mm long preassembled kit with anti-oxygen barrier pipe and stainless steel mesh sheath combined to two RS 12 mm push-fittings.</p> <p>K85RSY003 (12 x 12 mm - 900 mm long)</p>
<p><b>Panel-manifold connection</b></p>	<p>Panel-manifold connection requires RC109 and RC107 push-fittings connected to the 16x15 mm plastic pipe.</p> <p>RC109X014 (12 mm x 1/2" F)      RC107X017 (1/2" M x 16 mm)</p> <p>R986SY120 (16x1,5 mm)      RC900Y016 (16x1,5 mm)</p>	<p>Panel-manifold connection requires a K85RS 400 mm long preassembled kit, including flexible piping with anti-oxygen barrier and stainless steel mesh sheath combined to an RS 12 mm fitting on one side and a 1/2" F on the other. Installation of the RC107 push-fitting (1/2" M x 16 mm) enables to connect the Ø 16x1,5 mm plastic pipe.</p> <p>K85RSY002 (12 mm x 1/2" F - L. 400 mm)      RC107X017 (1/2" M x 16 mm)</p> <p>R986SY120 (16x1,5 mm)      RC900Y016 (16x1,5 mm)</p>

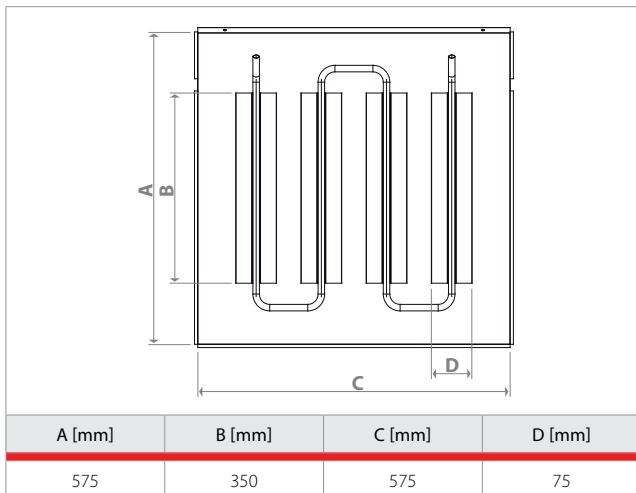


**Warning**  
The RS push fittings must be connected only with drawn or annealed copper pipes.



**Warning**  
RC push-fittings connections are irreversible. The plastic pipe end must be fitted with an RC900 reinforcement bush before inserting the RC push-fitting.

**Dimensions**



**Specifications**

**K6C**

Galvanized and painted 6/10 steel active panel for installation on exposed T-shaped support structures with 24 mm base. Activation consisting of four 75x350 mm anodized aluminium thermal diffusers. 12 mm copper pipe coil hydraulic circuit. Smooth or with micro-holes. Panels can be suspended by two wires fitted to the T-shaped support structure. Dimensions 575x575 mm.

**Additional information**

For more information, go to [www.giacomini.com](http://www.giacomini.com) or contact our technical assistance service: ☎ +39 0322 923372 📠 +39 0322 923255 ✉ [consulenza.prodotti@giacomini.com](mailto:consulenza.prodotti@giacomini.com)  
This document provides only general indications. Giacomini S.p.A. may change at any time, without notice and for technical or commercial reasons, the items included herewith.  
The information included in this technical sheet do not exempt the user from strictly complying with the rules and good practice standards in force.  
Giacomini S.p.A. Via per Alzo, 39 - 28017 San Maurizio d'Opaglio (NO) Italy