



K12A

Description

K12A is a painted steel panel for installation on exposed T-shaped support structure with 24 mm base for 600x1200 mm modular false-ceilings. K12A is an active panel equipped with n.2 220 mm wide anodized aluminium thermal diffusers factory-glued to the panels. The hydraulic circuit is made by a 16x1,5 mm plastic pipe with anti-oxygen barrier. Thermal insulation needs may be satisfied using the K820 polyester fibre thermoacoustic panel.

Versions and product code

Product Code	Panel finish	Color	Activation	Module [mm]	Dimensions [mm]
K12AX300	micro-holes R2516	white RAL9003	type A220, 2 diffusers	600 x 1200	575 x 1175
K12LAX300	smooth	white RAL9003	type A220, 2 diffusers	600 x 1200	575 x 1175
K12AX200	micro-holes R2516	silver RAL9006	type A220, 2 diffusers	600 x 1200	575 x 1175
K12LAX200	smooth	silver RAL9006	type A220, 2 diffusers	600 x 1200	575 x 1175

Optionals and spare parts

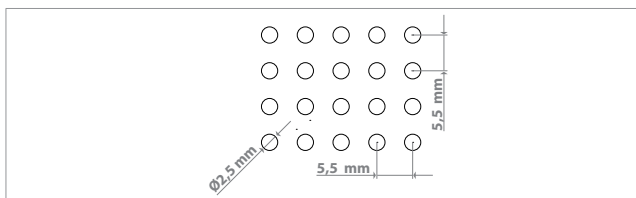
- K820:** polyester fibre thermoacoustic panels (optional)
- PGK06X002:** metal suspension wire (spare part)
- RC900:** reinforcement bush for plastic pipes (spare part)

Technical data

- A220 activation (2 anodized aluminium thermal diffusers)
- Anchoring to T-shaped support structure
- Piping: 16x1,5 mm plastic pipe with BAO
- Panel: 6/10 galvanized steel
- Panel dimensions: 575x1175 mm and 0,6 mm thick
- False-ceiling modules: 600x1200 mm
- Fire reaction class: 0
- Kv = 2,1
- Panel water content: 0,64 l

Standard micro-holes

Available as smooth and with micro-holes; the latter presents 2,5 mm micro-holes on the entire surface, except for a 15 mm wide perimetral area (16 % micro-holes).

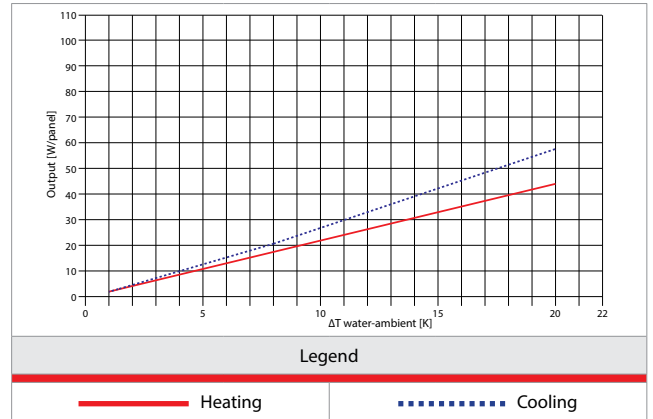


Nominal output

- Heating (according to EN14037): 46,3 W/m² with a 10K water-ambient ΔT.
- Cooling (according to EN14240): 44,1 W/m² with an 8k water-ambient ΔT.

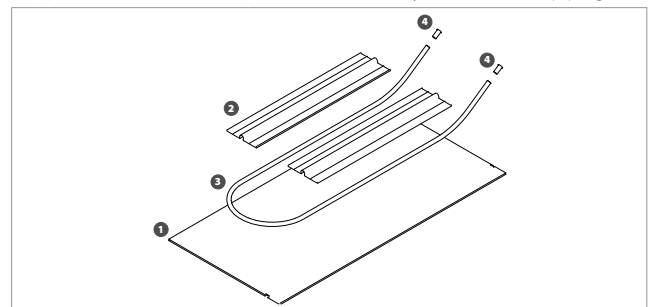


Note.
Output for single panel compliant with tests in thermostatic chamber according to EN14240 and EN14037.



A220 activation

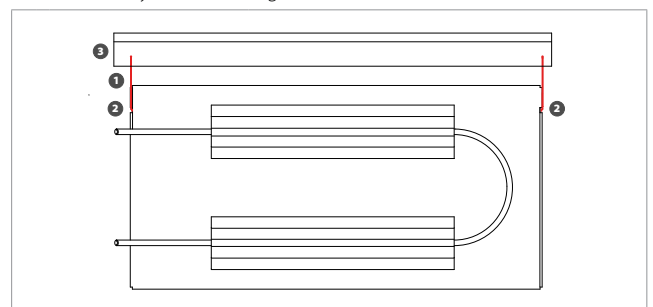
Active panels are equipped with n.2 220x700 mm factory-glued thermal diffusers. RC900 reinforcement bushes are already inserted in the piping end.



Legend	
1	6/10 galvanized steel panel
2	220x700 mm anodized aluminium thermal diffusers
3	16x1,5 mm plastic pipe with BAO
4	RC900 reinforcement bush

Anchoring to T-shaped support structure

The panel provides for connection of two PGK suspension wires to be anchored to the T-shaped support structure during assembly. The panel can be detached and left hanging from the two suspension wires to access the false-ceiling and plenum for inspection or maintenance of other installations also when the system is running.



Legend	
1	Metal suspension wire
2	Reinforced tab for wire fitting
3	Support T-shaped profile

Connection

Panel-panel and panel-manifold connections are provided by RC push-fittings and a 16x1,5 mm plastic pipe (R986-1 series).



RC102X007 (16 x 16 mm)



RC122X007 (16 x 16 mm)



R986SY120 (16 x 1,5 mm)

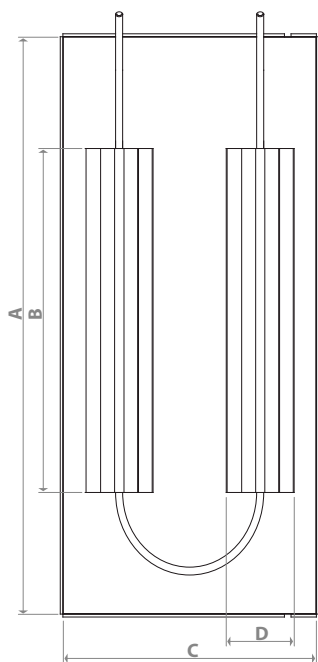


RC900Y016 (16 x 1,5 mm)



Warning.
RC push-fittings connections are irreversible. The plastic pipe end must be fitted with an RC900 reinforcement bush before inserting the RC push-fitting.

Dimensions



A [mm]	B [mm]	C [mm]	D [mm]
1175	700	575	220

Specifications

K12A

Galvanized and painted 6/10 steel active panel for installation on exposed T-shaped support structures with 24 mm base. Activation consisting of two 220x700 mm anodized aluminium thermal diffusers. 16x1,5 mm plastic pipe hydraulic circuit, with anti-oxygen barrier. Smooth or with micro-holes. Panels can be suspended by two wires fitted to the T-shaped support structure. Dimensions: 575x1175 mm.

Additional information

For more information, go to www.giacomini.com or contact our technical assistance service: ☎ +39 0322 923372 📠 +39 0322 923255 ✉ consulenza.prodotti@giacomini.com
This document provides only general indications. Giacomini S.p.A. may change at any time, without notice and for technical or commercial reasons, the items included herewith.
The information included in this technical sheet do not exempt the user from strictly complying with the rules and good practice standards in force.
Giacomini S.p.A. Via per Alzo, 39 - 28017 San Maurizio d'Opaglio (NO) Italy