

DISPLAY UNIT



KD200

Description

KD200 display unit is a GIACOKLIMA series device to be used in a GIACOKLIMA bus system in order to regulate Giacomini either underfloor or ceiling heating and/or cooling systems in combination with KM202 controller, K481 and K483 thermostats, K485 ambient sensor and KPM20 I/O unit.

KD200 display unit is a display and control terminal that can only work in combination with KM202 controller of which it is the local interface. KD200 is equipped with keyboard, display and communication interface. The information visualization and the actions operated by KD200 keys are handled by KM202 controller.

Versions and codes

- Power supply from KM202
- 1 RS-485 interface for the connection to a KM202 controller
- 1 RS-485 frontal interface for the connection of a PC

Functioning

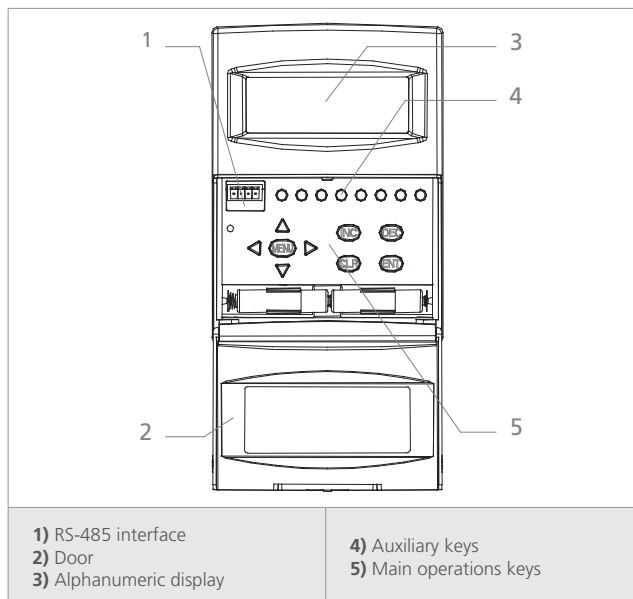
With KD200 display unit is possible:

- to display and modify the significant parameters of (max) 16 K481 or K483 thermostats and K485 ambient sensor connected to GIACOKLIMA bus system. Switch SUMMER/WINTER conduction mode centrally for (max) 32 devices;
- to enter and modify the 4 CRONO programmes resident in KM202 controller;
- to set date and time resident in KM202 controller;
- to display and modify analog parameters to be configured in function of the system;
- to display digital parameters to be configured in function of the system.

Signalling and control elements

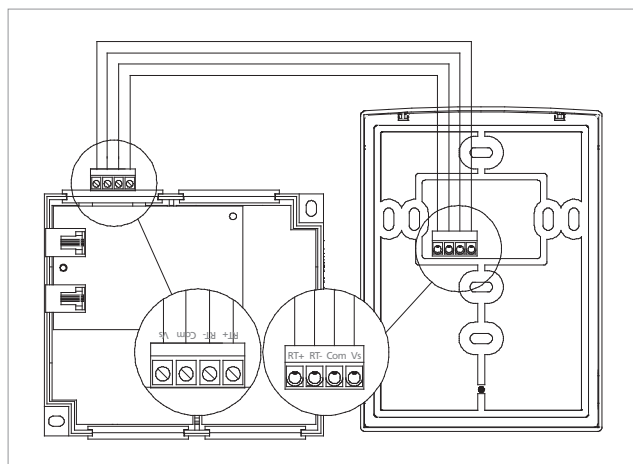
KD200 display unit has a simple set of control and signalling elements:

- a LCD alphanumeric display 4 rows x 20 columns;
- 9 keys for the main operations, 4 of which dedicated to cursor movements;
- 8 auxiliary keys (F1, ..., F8) for additional functions;
- a RS-485 interface to communicate with KM202 controller.



Connections

KD200 Display Unit has a 4-pole terminal block on the back for the connection of a KM202 Controller through a RS485 interface. The maximum length of the connection cable is 1000 m in case a shielded cable is used.



Access to KM202 Controller through KD200

A PC can be connected to the frontal part of KD200 display unit, through an apposite interface, in order to communicate with KM202 controller directly.

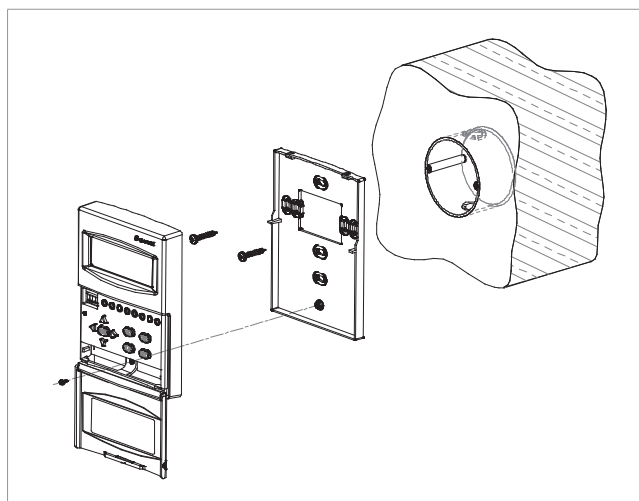
DISPLAY UNIT

Installation

KD200 Display Unit is a protruding device for wall-mounting. The base has slotted holes for the fixing:

- on round flush mounting box with diameter 60 mm and holes to fix screws;
- on rectangular flush mounting box 3 modules horizontally or vertically embedded (distance between the fixing holes: 83,5 mm).

A 4-pole terminal block for the connection to KM202 Controller is placed in the rectangular opening on the back.



KD200 installation on flush mounting box
(example: round, diameter 60mm)

For the wall-mounting of KD200 Display Unit:

- 1) open the frontal door;
- 2) loosen and remove the closing screw and remove the cover from the base. Be careful not to damage the electronic devices;
- 3) position the base on the flush mounting box and clamp the supplied fixing screws on the box holes;
- 4) regulate the adjustment horizontally through the slotted holes;
- 5) prepare the connection cable to KM202 Controller (cable strip length: approx. 10 mm, wire strip length: approx. 4 mm) and connect it to the removable part of the 4-pole terminal block;
- 6) let the ending part of the connection cable pass through the opening of the base and plug the removable part of the terminal block in the fixed part (back part of the device);
- 7) position the cover and the electronics on the base and clamp the closing screw.

Addressing

KD200 Display Unit is directly connected to a KM202 Controller and therefore does not need any addressing.



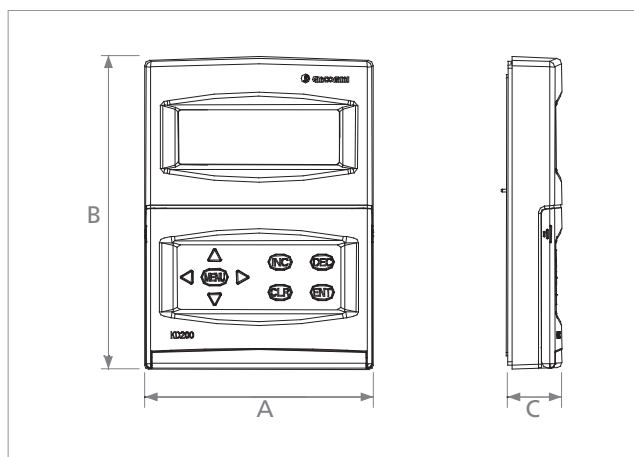
Caution!

The whole configuration of KD200 Display Unit is in KM202 Controller. If the Controller has not been programmed with a configuration for KD200 Unit (zones, parameter address, etc.), it is useless to connect a Display Unit to this Controller.

Technical data

Product code	KD200Y001
Power supply	SELV (Safety Extra Low Voltage) from KM202 network Controller through bus connection
Communication ports	- main port Connection to KM202 network Controller, RS485 19200 baud KM202, RS485 19200 baud - maintenance port RS485, 19200 baud
Display	4 rows x 20 characters (internally settable contrast)
Keyboard	17 keys (9 for selection + 8 for functions)
Protection level	IP30 (IEC529)
Operating ambient conditions	0 ÷ +50 °C 10 ÷ 90 % R.H. not condensing
Storage ambient conditions	-20 ÷ +70 °C 10 ÷ 90 % R.H. not condensing
Size	108 x 145 x 26 mm (LxHxP)
Mounting	Protruding wall-mounting on round or rectangular flush mounting box Ø 60 mm 3 modules (distance between the fixing holes 85 mm)

Size



Technical specifications

KD200 – Display Unit and crono programmes setting unit

Display Unit for visualization of system parameters and setting of time programmes. To be used only in combination with a KM202 Controller.

Additional information

For additional information please check the Giacomini website at the following address: www.giacomini.com

☎ +39 0322 923 372

☎ +39 0322 923 255

✉ consulenza.prodotti@giacomini.com

This pamphlet is merely for information purposes. Giacomini S.p.A. retains the right to make modifications for technical or commercial reasons, without prior notice, to the items described in this pamphlet. The information described in this technical pamphlet does not exempt the user from following carefully the existing regulations and norms on good workmanship.

Giacomini S.p.A. Via per Alzo 39, I-28017 San Maurizio d'Opaglio (NO) Italy