



T431C

T432C

Description

The T431C and T432C micrometric valves with thermostatic option are designed with a particular focus on the aesthetics of the product, with rounded forms and brilliant chrome plating on the components. Their principal use is in heating systems for toweldryers and heated towel rails, or wherever a particular look is desired. The T431C and T432C micrometric valves with thermostatic option can be coordinated with the T29C and T31C brilliant chrome lockshield valves, which intercept and balance the circuits, leaving the manual valve with the sole task of intercepting the flow when the user does not wish to heat the toweldryer.

Versions and product codes

Product code	Connections	Type	Corresponding lockshield valve
T431CX003	1/2"x 16	angled	T29CX003
T432CX003	1/2"x 16	straight	T31CX003

Additional accessories

T470CX001: brilliant chrome thermostatic head with CLIP CLAP connection for connection to the pipe use adaptors T178C and T179M.

Warning.
With thermostatic head installed on the valve body, to avoid excessive loads on the seal gasket of the thermostatic bonnet (with the resulting risk of jamming and locking) during the summer, it is recommended to place the handwheel of the thermostatic head in the fully open position, marked by the symbol *.

In case of malfunction of the valve it is possible to replace the O-ring, by unscrewing the nut using an hexagonal wrench 11 mm

If the problem persists is also possible to replace the complete bonnet using the appropriate key R400.

Main features

Micrometric adjustment



The micrometric valves with thermostatic option are characterised by the fact that they allow micrometric adjustment, through which it is possible to partially open a manual function valve. Removing the upper part of the handwheel provides easy access to the graduation scale. Adjustment is carried out by moving the metal pin into the most appropriate position

for requirements, in accordance with the dedicated diagrams shown in the section on losses of pressure.

Technical data

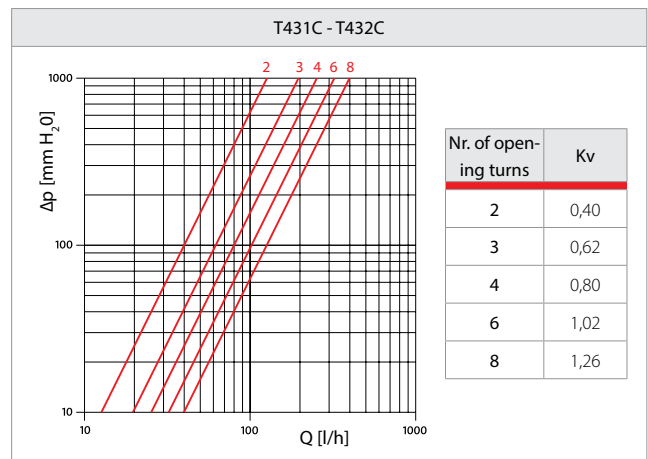
- Temperature range: 5÷110 °C
- Max. working pressure: 16 bar (10 bar with thermostatic head)
- Maximum differential pressure: 1,4 bar

Materials

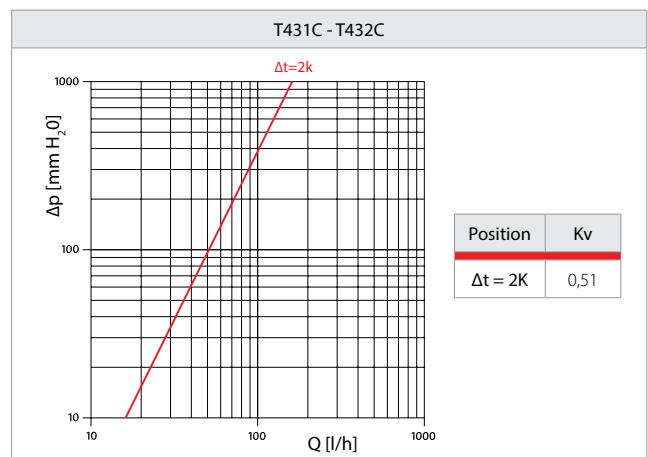
- Body and components: brass UNI EN 12165 CW617N, with brilliant chrome plating
- Integrated command stem: stainless steel
- Seal on command stem with O-ring: EPDM
- Handwheel: Chrome-plated ABS
- Self-sealing tail piece: EPDM

Losses of pressure

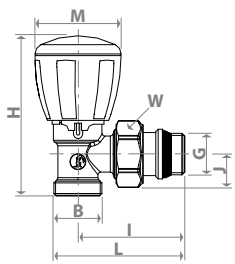
Losses of pressure of the valve in accordance with the **micrometric adjustment** made by positioning the metal pin (as described in the paragraph on main features).

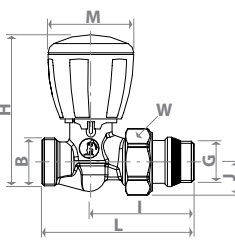


Losses of pressure in valve in the **thermostatic version** and opening corresponding to $\Delta t=2K$.



Dimensions

T431C							
							
Product code	G x B	H [mm]	I [mm]	J [mm]	L [mm]	M [mm]	L [mm]
T431CX003	1/2" x 16	75	53	21	74	42	30

T27C							
							
Product code	G x B	H [mm]	I [mm]	J [mm]	L [mm]	M [mm]	L [mm]
T432CX003	1/2" x 16	79	51	17	75	42	30

Product specifications

T431C

Angled valve for micrometric toweldryers with thermostatic option, brilliant chrome-plating, with connection for adaptor for copper / plastic / multilayer pipe. Body in brass UNI EN 12165 CW617N. Handwheel for manual command in ABS with brilliant chrome-plating. Integrated command stem in stainless steel. Seal on command stem with O-ring in EPDM. Temperature range 5÷110 °C. Max. working pressure 16 bar (10 bar with thermostatic head). 1/2" M radiator connection with self-sealing tail piece in EPDM and connection for T178C and T179M adaptors.

T432C

Straight valve for micrometric toweldryers with thermostatic option, brilliant chrome-plating, with connection for adaptor for copper / plastic / multilayer pipe. Body in brass UNI EN 12165 CW617N. Handwheel for manual command in ABS with brilliant chrome-plating. Integrated command stem in stainless steel. Seal on command stem with O-ring in EPDM. Temperature range 5÷110 °C. Max. working pressure 16 bar (10 bar with thermostatic head). 1/2" M radiator connection with self-sealing tail piece in EPDM and connection for T178C and T179M adaptors.

Additional information

For additional information please check the website www.giacomini.com or contact the technical service: ☎ +39 0322 923372 📠 +39 0322 923255 ✉ consulenza.prodotti@giacomini.com
 This pamphlet is merely for information purposes. Giacomini S.p.A. retains the right to make modifications for technical or commercial reasons, without prior notice, to the items described in this pamphlet. The information described in this technical pamphlet does not exempt the user from following carefully the existing regulations and norms on good workmanship.
 Giacomini S.p.A. Via per Alzo, 39 - 28017 San Maurizio d'Opaglio (NO) Italy