



T29C

T31C

**Description**

The T29C and T31C lockshield valves are designed with a particular focus on the aesthetics of the product, with rounded forms and brilliant chrome plating on the components. Their principal use is in heating systems for toweldryers and heated towel rails, and wherever a particular look is desired. When fitting, the T29C and T31C lockshield valves can be co-ordinated with the T25C and T27C brilliant manual valves or with the T431C and T432C brilliant micrometric valves with thermostatic option.

**Versions and product codes**

Product code	Connections	Type	Corresponding valve
T29CX003	1/2" x 16	angled	T25CX003 (manual) T431CX003 (with thermostatic option)
T31CX003	1/2" x 16	straight	T27CX003 (manual) T432CX003 (with thermostatic option)

**Additional accessories**

For connection to the pipe use adaptors T178C and T179M.

**Technical data**

- Temperature range: 5÷110 °C
- Max. working pressure: 16 bar

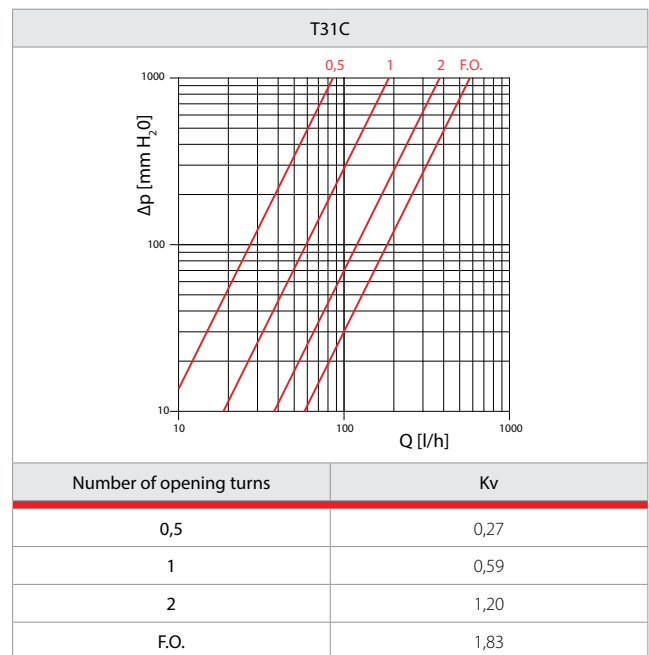
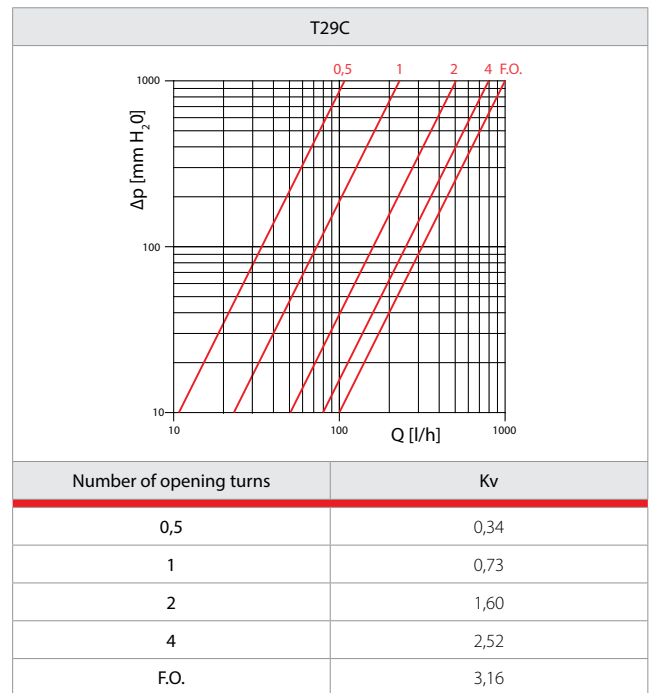
**Materials**

- Body and caps: brass UNI EN 12165 CW617N, with brilliant chrome plating
- Self-sealing tail piece: EPDM

**Losses of pressure**

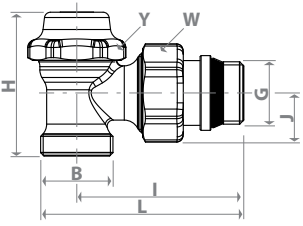
The following tables show the Kv values in accordance with the number of opening turns of the lockshield valve from the fully closed position.

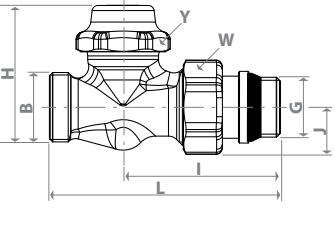
F.O. = fully open





**Dimensions**

T29C							
							
Product code	G x B	H [mm]	I [mm]	J [mm]	L [mm]	Y [mm]	L [mm]
T29CX003	1/2"x 16	48	56	21	72	30	30

T31C							
							
Product code	G x B	H [mm]	I [mm]	J [mm]	L [mm]	Y [mm]	L [mm]
T31CX003	1/2"x 16	52	55	17	80	30	30

**Product specifications**

**T29C**

Angled lockshield valve for toweldryer in brilliant chrome-plating, with connection for adaptor for copper / plastic / multilayer pipe. Body in brass UNI EN 12165 CW617N. Cap in brilliant chrome-plating brass, and self-sealing tail piece in EPDM. Temperature range 5÷110 °C. Max. working pressure 16 bar. 1/2" M radiator connection and connection for T178C and T179M adaptors.

**T31C**

Straight lockshield valve for toweldryer in brilliant chrome-plating, with connection for adaptor for copper / plastic / multilayer pipe. Body in brass UNI EN 12165 CW617N. Cap in brilliant chrome-plating brass, and self-sealing tail piece in EPDM. Temperature range 5÷110 °C. Max. working pressure 16 bar. 1/2" M radiator connection and connection for T178C and T179M adaptors.

**Additional information**

For additional information please check the website [www.giacomini.com](http://www.giacomini.com) or contact the technical service: ☎ +39 0322 923372 📠 +39 0322 923255 ✉ [consulenza.prodotti@giacomini.com](mailto:consulenza.prodotti@giacomini.com)  
This pamphlet is merely for information purposes. Giacomini S.p.A. retains the right to make modifications for technical or commercial reasons, without prior notice, to the items described in this pamphlet. The information described in this technical pamphlet does not exempt the user from following carefully the existing regulations and norms on good workmanship.  
Giacomini S.p.A. Via per Alzo, 39 - 28017 San Maurizio d'Opaglio (NO) Italy