



Description

The growing use of manifold-based distribution systems, both for heating and domestic water distribution, provides great benefits for end users and installers that perform ordinary management and service interventions. However, a few issues related to the type of installation and manifold have to be considered when choosing a flush-mount cabinet. R595 cabinets enable the installer to assess right away their versatility and convenience during laying and installation while saving precious time. They are also fit for installation of Giacomini's complete range of manifolds thanks to the use of the R598 special quick-connection supports (sold separately).

Versions and product codes

Product code	Dimensions [mm]	Connection center distance [mm]
R595AY001	370 x 300 x 90	35
R595BY001	520 x 300 x 90	35
R595CY001	670 x 300 x 90	35

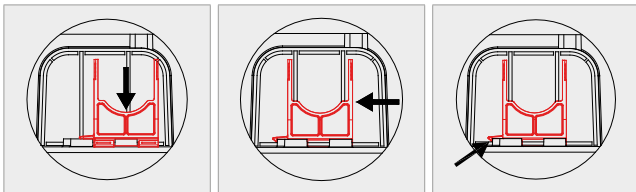
R598 supports (sold separately)

Product code	Type
R598Y003	For 3/4"x16 bar manifolds
R598Y004	For 1"x16 bar manifolds and DN25 modular manifolds
R598Y007	For modular manifolds R580CY062, R580CY063, R580CY064, R585CY062, R585CY063, R585CY064
R598Y009	For R587 3/4" or 1" coplanar manifolds

R598 supports are easy to install inside the cabinet with their quick-connection system.

Once the correct position has been identified, follow the steps below:

- Place the R598 support over the twin dovetail-fit system.
- Press the support slightly to connect it.



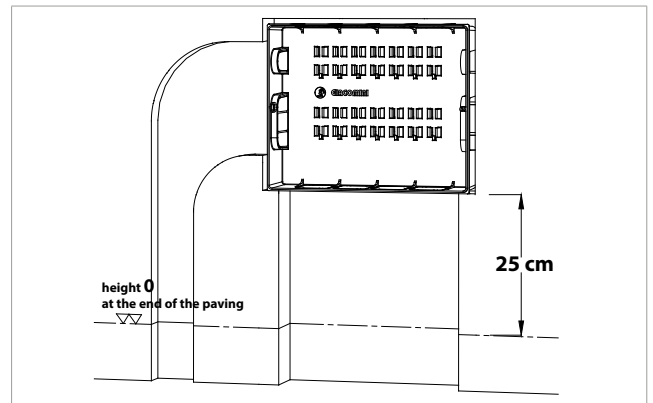
Should it be necessary to remove the support, use a screwdriver to lift and disconnect it.

Installation

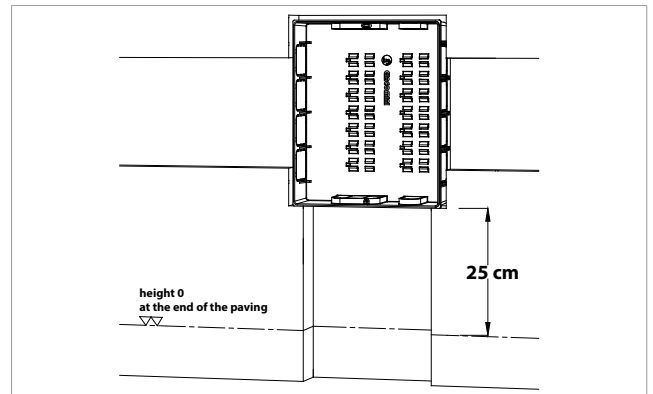
The cabinet is large 90 mm and its proper location must be evaluated carefully, favoring walls that have a total thickness (including plaster and tiles) less than 10 cm.

The cabinet must be walled up with its bottom side at 25 cm from the finished floor for an easier laying of the distribution pipes (and to make sure they can be slipped out in removable-pipe systems).

Horizontal installation for bar or modular manifolds



Vertical installation for coplanar manifolds



Installation of 3/4" bar manifolds

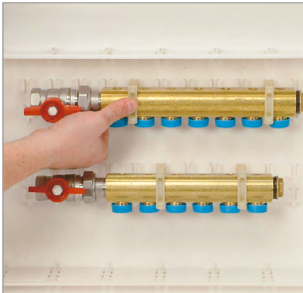


1.
To install 3/4" bar manifolds with a 35-mm center distance use accessory **R598Y003** which includes:


- n° 2 inclined supports for upper manifold
- n° 2 straight supports for upper manifold
- n° 4 fasteners



2.
Place the R598Y003 supports over the twin dovetail-fit system and press slightly to connect them.




3.
Note: use inclined supports for the upper manifold. Place the units inside the cabinet, add the fasteners (near the support that has just been positioned) to fit the assembly.



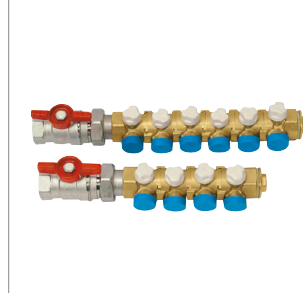
4.
The fastener can be removed using a small screwdriver to pry on the connection tab if necessary.

Installation of 1" bar manifolds and DN25 modular manifolds

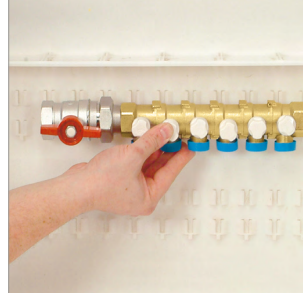


1.
To install 1" bar manifolds with a 35-mm center distance, use the **R598Y004** accessory which includes:

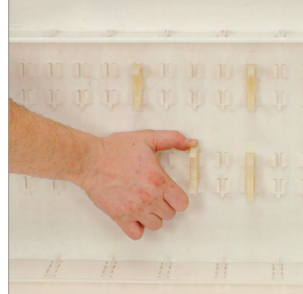
- n° 2 inclined supports for upper manifold
- n° 2 straight supports for lower manifold
- n° 4 fasteners




2.
Follow the steps below to install the manifolds inside the cabinet: First, install (whenever possible) the accessories (ex. caps, reducer fittings, air vents, shut-off valves, etc.) on the two manifolds.




3.
Place the assemblies inside the cabinet to find the proper location for the two connection supports (we recommend using the internal positions closer to the two ends of each manifold).



4.
Place the R598Y004 supports over the twin dovetail-fit system and press slightly to connect them.



5.
Note: use inclined supports for the upper manifold.
• Place the units inside the cabinet, add the fasteners (near the support that has just been positioned) to fit the assembly.



6.
The fastener can be removed using a small screwdriver to pry on the connection tab if necessary.

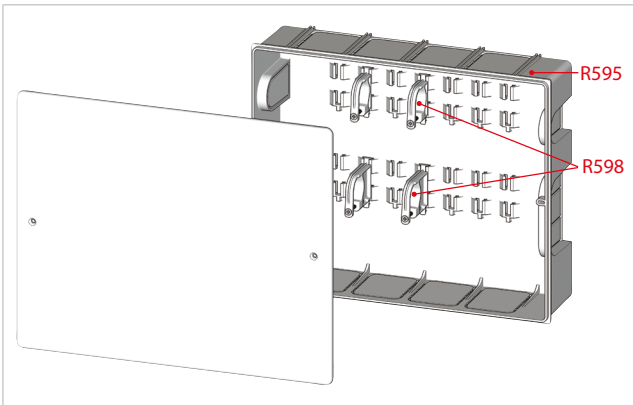
Installation of R580C-R585C modular manifolds



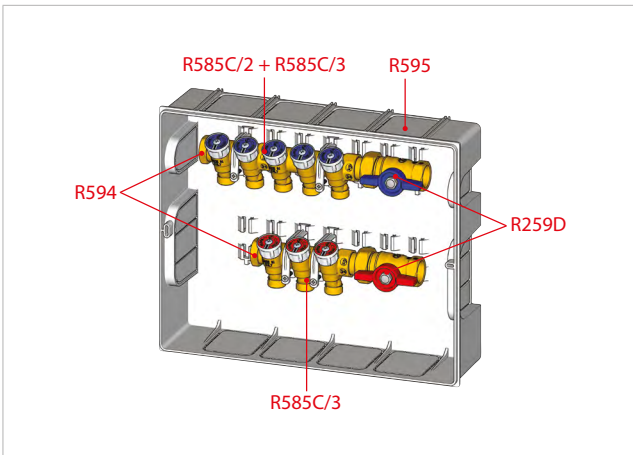
1. To install the R580C-R585C modular manifolds, use the R598Y007 accessory.

Warning.
R595 cabinets can contain only 3/4" manifolds with a 35-mm center distance.

R580C-R585C manifolds (3/4", 35-mm center distance) are also fit for installation in R595 cabinets using the R598Y007 special supports. In such situations, the supports should be connected to the cabinet fixed rails; that is why only manifolds with a 35-mm center distance can be installed. The cover can be opened and closed by loosening or tightening the special screws included with the cabinet.



Example



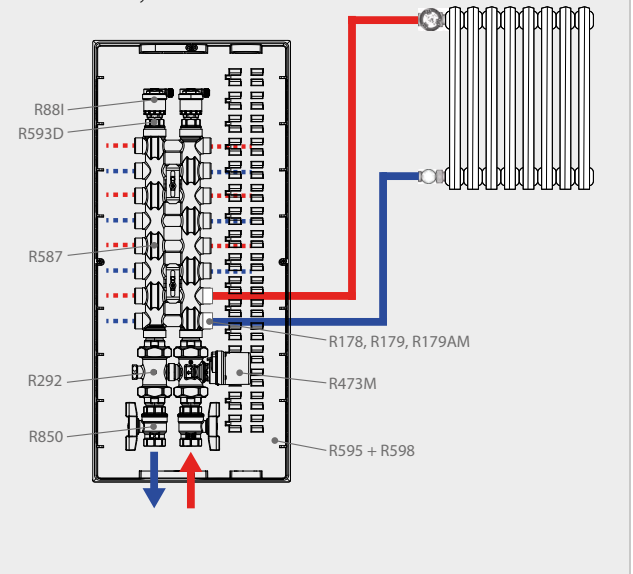
This example shows R585C manifolds with R594 end caps and R259D ball valves assembled inside the R595 cabinet. Two R585C manifolds (one 2-outlet manifold + one 3-outlet manifold) have been installed in line for domestic cold water to obtain a total of 5 outlets serving the related usage points. Only one 3-outlet manifold has been used instead for domestic hot water usage points.

Installation of R587 coplanar manifolds



1. To install the R587 3/4" or 1" coplanar manifolds, use the R598Y009 accessory which includes:
 - n° 2 supports for coplanar manifolds
 - n° 4 holders for R587 coplanar manifolds
 - n° 2 self-tapping screws.

2. Follow the steps below to install the manifolds inside the cabinet:
 - First, install (whenever possible) the accessories (ex. caps, reducer fittings, air vents, shut-off valves, etc.) on the R587 manifold.
3. Place the assemblies inside the cabinet to find the proper location for the two connection supports (we recommend using the internal positions closer to the two ends of the manifold).
4. Place the R598Y009 supports inside the cabinet.
5. Fit the assembly inside the cabinet.



Installation instructions

• Modular/bar manifolds

	R595A	R595B	R595C
DN25 modular manifolds (3/4" end pieces)	.../5	.../9	.../13
3/4" bar manifolds (35-mm center distance)	.../5	.../9	.../12(*)

Including 3/4" shut-off valves (R259D, R919, R603 or R604) o end cap.
Enough space to add an R18 3/4" 3-piece fitting or fittings suitable for the various types of synthetic pipes.

	R595A	R595B	R595C
DN25 modular manifolds (1" end pieces)	.../4	.../8	.../12
1" bar manifolds (35-mm center distance)	.../4	.../8	.../12(*)

Including 1" shut-off valves (R259D or R919) and end cap.
Enough space to add an R18 1" 3-piece fitting or fittings suitable for the various types of synthetic pipes.

• Modular/bar manifolds + R554I automatic air vent

	R595A	R595B	R595C
DN25 modular manifolds (3/4" end pieces)	.../3	.../7	.../11
3/4" bar manifolds (35-mm center distance)	.../3	.../7	.../12

Including 3/4" shut-off valves (R259, R919, R603 or R604) and R554I 3/4" end piece. Enough space to add an R18 3/4" 3-piece fitting or fittings suitable for the various types of synthetic pipes.

	R595A	R595B	R595C
DN25 modular manifolds (1" end pieces)	.../2	.../6	.../10
1" bar manifolds (35-mm center distance)	.../2	.../6	.../12

Including 1" shut-off valves (R259D or R919) and R554I 3/4" end piece.
Enough space to add an R18 1" 3-piece fitting or fittings suitable for the various types of synthetic pipes.

• Modular/bar manifolds + R66A manual air vent

	R595A	R595B	R595C
DN25 modular manifolds (3/4" end pieces)	.../4	.../8	.../12
3/4" bar manifolds (35-mm center distance)	.../4	.../8	.../12

Including 3/4" shut-off valves (R259D, R919, R603 or R604) and R66A manual air vent. Enough space to add an R18 3/4" 3-piece fitting or fittings suitable for the various types of synthetic pipes.

	R595A	R595B	R595C
DN25 modular manifolds (1" end pieces)	.../3	.../7	.../11
1" bar manifolds (35-mm center distance)	.../3	.../7	.../12

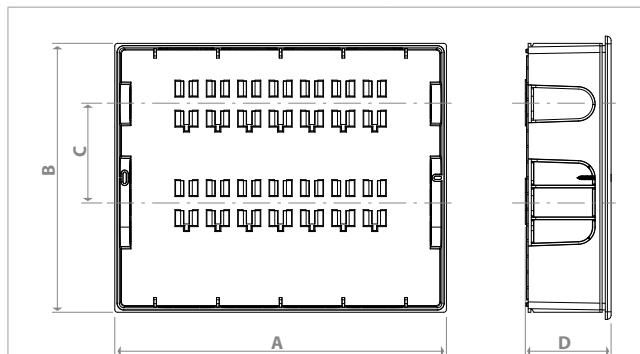
Including 1" shut-off valves (R259D or R919) and R66A manual air vent.
Enough space to add an R18 1" 3-piece fitting or fittings suitable for the various types of synthetic pipes.

• Modular/bar manifolds + zone valves

	R595A	R595B	R595C
R66A manual air vent, R292E zone valve with R473/R473M actuator, R250D shut-off valves, R18 3-piece fitting	-	4 + 4	10 + 10
R66A manual air vent, R292E zone valve with R473/R473M actuator, R250D shut-off valves, R18 3-piece fitting	-	4 + 4	10 + 10
R88I or R99I automatic air vent, R292E zone valve with R473/R473M actuator, R250D shut-off valves, R18 3-piece fitting	-	4 + 4	10 + 10
R88I or R99I automatic air vent, R292E zone valve with R473/R473M actuator, R250D shut-off valves	-	4 + 4	10 + 10
R66A manual air vent, R278E zone valve with K270/K272 actuator, R250D shut-off valves, R18 3-piece fitting	-	4 + 4	10 + 10
R66A automatic air vent, R278E zone valve with K270/K272 actuator, R250D shut-off valves	-	4 + 4	10 + 10
R88I or R99I automatic air vent, R278E zone valve with K270/K272 actuator, R250D shut-off valves, R18 3-piece fitting	-	4 + 4	10 + 10
R88I or R99I automatic air vent, R278E zone valve with K270/K272 actuator, R250D shut-off valves	-	4 + 4	10 + 10

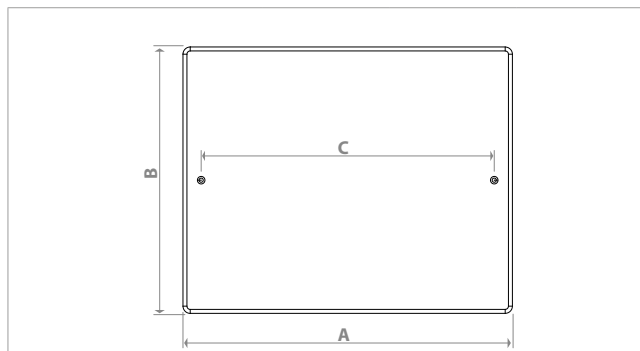
Dimensions

R595



Product code	A [mm]	B [mm]	C [mm]	D [mm]
R595AY001	370	300	110	90
R595BY001	520	300	110	90
R595CY001	670	300	110	90

R595P



Cover code	Cabinet code	A [mm]	B [mm]	C [mm]
R595PY001	R595AY001	390	315	348
R595PY001	R595BY001	540	315	498
R595PY001	R595CY001	690	315	648

Product specifications

R595

Plastic cabinet with cover for 3/4" or 1" manifolds with 35-mm center distance, DN25 modular manifolds, R587 coplanar manifolds, R580CY062, R580CY063, R580CY064, R585CY062, R585CY063, R585CY064 modular manifolds. To be completed with R598 supports.

R595P

Plastic cover for R595 cabinet or niche cover for R595T metal frame. Fixing screws included.

R595T

Metal frame for R595P plastic cover.

R598

Mount supports for R595 cabinet.

Safety warnings
 Installation, commissioning and periodical maintenance of the product must be carried out by qualified operators in compliance with national regulations and/or local standards. A qualified installer must take all required measures, including use of Individual Protection Devices, for his and others' safety. An improper installation may damage people, animals or objects towards which Giacomini S.p.A. may not be held liable.

Package disposal
 Carton boxes: paper recycling.
 Plastic bags and bubble wrap: plastic recycling.

Product disposal
Do not dispose of product as municipal waste at the end of its life cycle. Dispose of product at a special recycling platform managed by local authorities or at retailers providing this type of service.

Additional information
 For more information, visit giacomini.com or contact our technical assistance service: ☎ +39 0322 923372 📠 +39 0322 923255 ✉ consulenza.prodotti@giacomini.com
 This document provides only general indications. Giacomini S.p.A. may change at any time, without notice and for technical or commercial reasons, the items included herewith. The information included in this datasheet do not exempt the user from strictly complying with the rules and good practice standards in force.
 Giacomini S.p.A. Via per Alzo 39, 28017 San Maurizio d'Opaglio (NO) Italy