



Description

The **R462L** thermostatic heads, installed on valves with thermostatic option, allow users to limit the temperature of the water delivered to heating and/or sanitary water systems. They are equipped with a temperature probe which can be installed in contact with the flow pipe or alternatively immersed within appropriate 1/2 " housing. According to the temperature detected by the probe, the thermostatic head opens or closes the valve with thermostatic option, in order to keep constant the delivery temperature set on the knob.

Versions and product codes

Series	Product code	Type	Capillary pipe length
R462L	R462LX001	-	2 m
	R462LX011	with 1/2"M ring nut with capillary pipe seal	
	R462LX021	with 1/2"M housing	

Accessories

- **R455AY001**: the head can be rotated to the desired calibration position and then locked with the R445A protection device.
- **R465Y001**: support temperature probe for installation in contact with the piping.

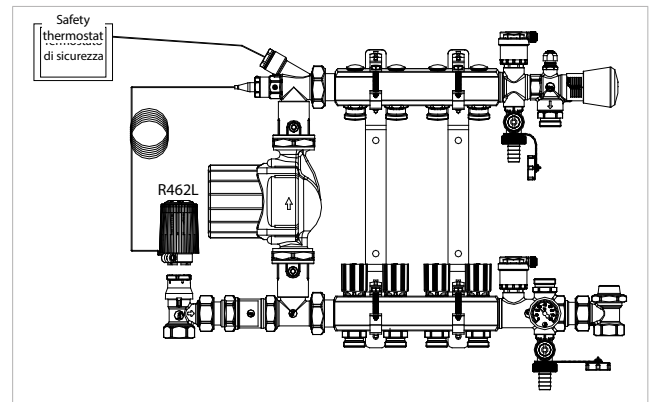
Technical data

- Max. working temperature: 110 °C
- Max. working pressure: 10 bar
- Maximum differential pressure in the valve (TG and PTG series): 1,4 bar (3/8", 1/2"); 0,7 bar (3/4"); 0,4 bar (1")
- Temperature adjustment range: 20÷70 °C

Installation

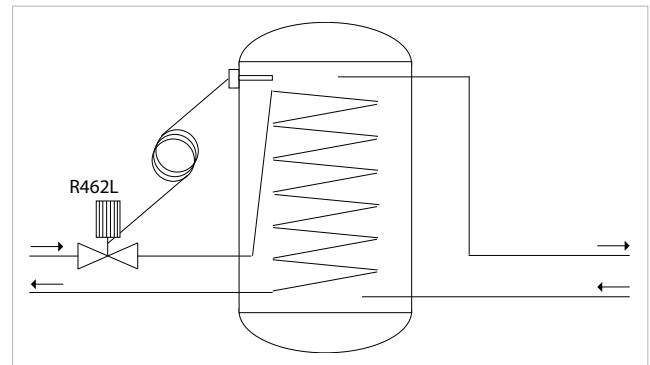
Example of installation on manifold

The R462L head can be used in conjunction with R557 or R557F "fixed point" manifolds in mixed systems (radiant floor and radiators). A thermostatic head installed on a valve with thermostatic option upstream of the manifold allows the user to limit delivery temperature as desired. The system should be fitted with a safety thermostat connected to the system circulator.



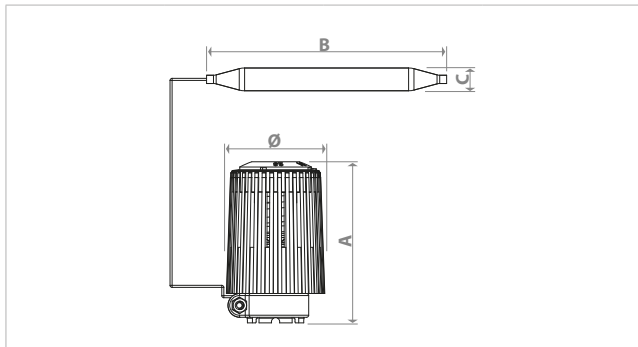
Example of installation in domestic hot water systems

Through the use of the R462L head, it is possible to keep boiler temperatures constant, in a simple and economical manner. The thermostatic head installed on valves with thermostatic option allows the entry of the heating fluid when the sensor immersed in the reservoir detects temperatures which are lower than the adjustment position set.



Dimensions

R462LX001



A [mm]	Ø [mm]	B [mm]	C [mm]
78	48	116	11

Product specifications

R462LX001

Thermostatic head with temperature limiter and remote liquid sensor. Adjustable on valve. Temperature range 20÷70 °C. Possibility to block or achieve partial opening and/or closure. Capillary pipe length 2 m.

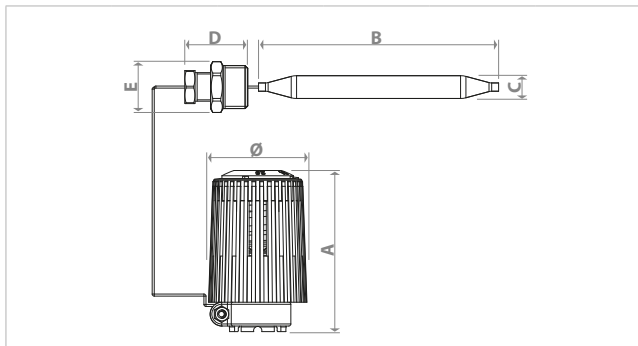
R462LX011

Thermostatic head with temperature limiter and remote liquid sensor. Adjustable on valve. Temperature range 20÷70 °C. Possibility to block or achieve partial opening and/or closure. Capillary pipe length 2 m. Equipped with 1/2" ring nut.

R462LX021

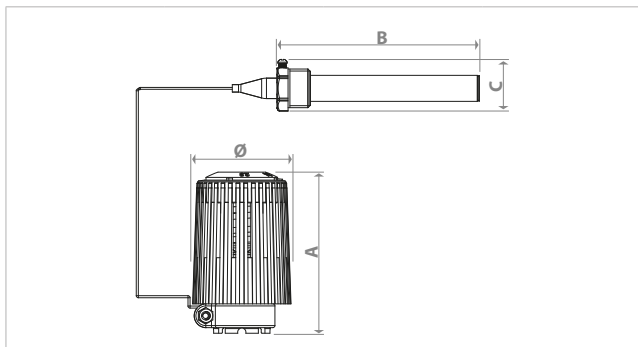
Thermostatic head with temperature limiter and remote liquid sensor. Adjustable on valve. Temperature range 20÷70 °C. Possibility to block or achieve partial opening and/or closure. Capillary pipe length 2 m. Equipped with 1/2" housing.

R462LX011



A [mm]	Ø [mm]	B [mm]	C [mm]	D [mm]	E [mm]
78	48	116	11	31	25

R462LX021



A [mm]	Ø [mm]	B [mm]	C [mm]
78	48	109	28

Additional information

For additional information please check the website: www.giacomini.com or contact the technical service: ☎ +39 0322 923372 6 📠 +39 0322 923255 ✉ consulenza.prodotti@giacomini.com
 This pamphlet is merely for information purposes. Giacomini S.p.A. retains the right to make modifications for technical or commercial reasons, without prior notice, to the items described in this pamphlet. The information described in this technical pamphlet does not exempt the user from following carefully the existing regulations and norms on good workmanship.
 Giacomini S.p.A. Via per Alzo, 39 - 28017 San Maurizio d'Opaglio (NO) Italy