

R251WST



Water
Management

Valve specific for domestic water, standard port

Datasheet
0914EN  11/2022



Ball valve, female-female connections, with drain cock with hose connection \varnothing 9 mm, for pipes with high insulation thickness, specific for domestic water. Standard port.

Versions and product codes

PRODUCT CODE	CONNECTIONS	DRAIN COCK SIZE	FINISHING	HANDLE TYPE	HANDLE COLOR	NOTES
R251SX103	Rp 1/2" x Rp 1/2"	1/4"	Nickel plated brass	Extended T-handle	Green, red, blue plates	With drain cock, for pipes with high insulation thickness
R251SX104	Rp 3/4" x Rp 3/4"	1/4"	Nickel plated brass	Extended T-handle	Green, red, blue plates	With drain cock, for pipes with high insulation thickness
R251SX105	Rp 1" x Rp 1"	1/4"	Nickel plated brass	Extended T-handle	Green, red, blue plates	With drain cock, for pipes with high insulation thickness
R251SX106	Rp 1-1/4" x Rp 1-1/4"	3/8"	Nickel plated brass	Extended T-handle	Green, red, blue plates	With drain cock, for pipes with high insulation thickness

Technical data

Main features and materials

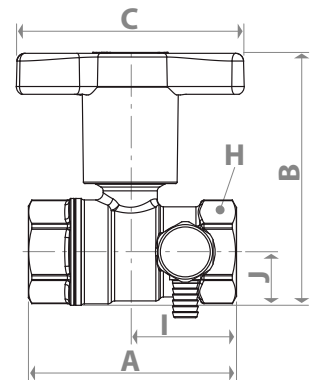
- Specific for domestic water
- Standard port
- Valve made of UNI EN 12165 CW617N nickel plated brass
- Stem with double O-Ring
- Nut with anti-corrosion coating, with guarantee seal and hologram
- Extended plastic T-handle, with green, red and blue plates
- Drain cock with hose connection \varnothing 9 mm

Field of applications

- Temperature range: 5+110 °C, possibility of 120 °C for short periods of time
- Max. working pressure at 20 °C with water:
4,2 MPa (42 bar) for 1/2", 3/4"
3,5 MPa (35 bar) for 1", 1-1/4"

Dimensions and Kv

PRODUCT CODE	DN	A [mm]	I [mm]	B [mm]	J [mm]	C [mm]	H [mm]	Kv
R251SX103	14	60	32	77	15	78	wr.25	10,2
R251SX104	18	71	36	86	18	78	wr.32	18,5
R251SX105	22	83	43	95	23	78	wr.40	36,3
R251SX106	28	102	56	104	28	78	wr.49	73,5



Product specifications

R251WST

Ball valve, with female-female connections, with drain cock with hose connection \varnothing 9 mm, for pipes with high insulation thickness. Specific for domestic water. Valve made of UNI EN 12165 CW617N nickel plated brass. Standard port. Extended plastic T-handle, with green, red and blue plates. Stem with double O-Ring. Nut with anti-corrosion coating, with guarantee seal and hologram. Temperature range: 5+110 °C, possibility of 120 °C for short periods of time. Max. working pressure at 20 °C with water: 4,2 MPa (42 bar) for 1/2", 3/4"; 3,5 MPa (35 bar) for 1", 1-1/4".

⚠ Safety Warning. Installation, commissioning and periodical maintenance of the product must be carried out by qualified operators in compliance with national regulations and/or local standards. A qualified installer must take all required measures, including use of Individual Protection Devices, for his and others' safety. An improper installation may damage people, animals or objects towards which Giacomini S.p.A. may not be held liable.

♻ Package Disposal. Carton boxes: paper recycling. Plastic bags and bubble wrap: plastic recycling.

ℹ Additional information. For more information, go to giacomini.com or contact our technical assistance service. This document provides only general indications. Giacomini S.p.A. may change at any time, without notice and for technical or commercial reasons, the items included herewith. The information included in this technical sheet do not exempt the user from strictly complying with the rules and good practice standards in force.

♻ Product Disposal. Do not dispose of product as municipal waste at the end of its life cycle. Dispose of product at a special recycling platform managed by local authorities or at retailers providing this type of service.