

Description

Domestic water unit outputs **GE550** are used to meter domestic water consumptions.

They include a pair of shut-off valves, a single-jet water meter (GE552Y190-191) and a spacer to replace the water meter.

The water meter is equipped with a totalizer to read consumptions; a pulse output enables smart metering via M-Bus.

The check valve integrated in the shut-off valve with a green handle provides highly reliable readings.

The handles of the other shut-off valves are blue or red respectively for domestic cold or hot water outputs.

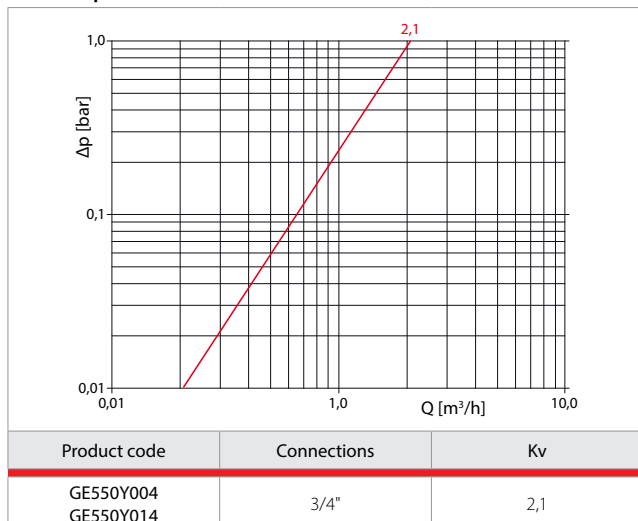
Versions and product codes

Codice	Tipo di acqua sanitaria	Attacchi	Interasse di montaggio [mm]
GE550Y004	fredda	3/4"	110
GE550Y014	calda	3/4"	110

Technical data

- Max. working temperature:
30 °C for domestic cold water meter
90 °C for domestic hot water meter
- Max. working pressure: 16 bar (10 bar with plastic spacer)

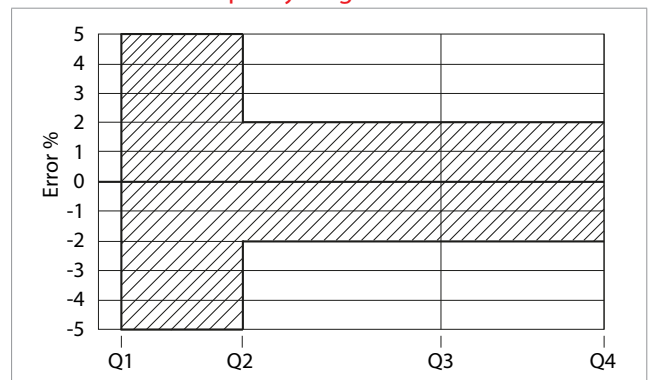
Losses of pressure



Main characteristics

- Horizontal or vertical installation
- Shut-off valves welded to water meter
- Dial with mechanical totalizers and index for partial consumptions and flow
- Pulse output with M-Bus presetting (1 pulse = 10 liters)
- Spacer for water meter for installation on site
- Brackets for fitting in user modules
- Brass shut-off valves with full port, chrome-plated ball, PTFE seals
- Check valve with POM resin body and inner parts, stainless steel spring
- CE marking (MID compliance)

Water meter error quality diagram

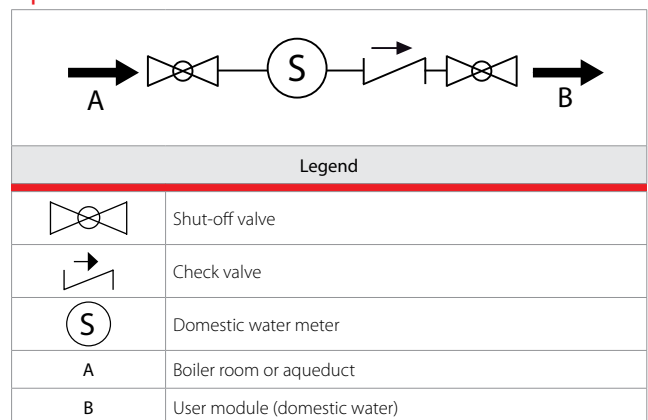


GE552Y190, GE552Y191 (3/4")

Installation	Q3 [m³/h]	Q1 [m³/h]	Q2 [m³/h]	Q4 [m³/h]
Horizontal	2,5	0,031	0,050	3,1
Vertical	2,5	0,063	0,100	3,1

- Q2 / Q1 = 1,6
- Q3 / Q1 = 80 (horizontal installation)
- Q3 / Q1 = 40 (vertical installation)

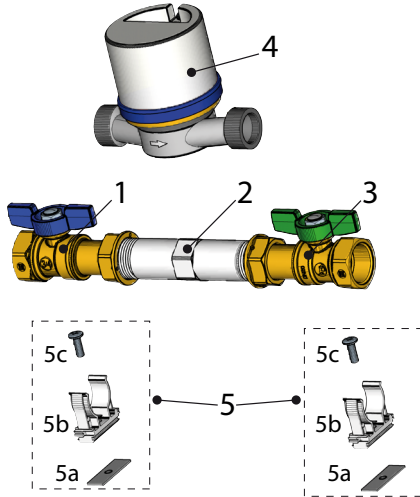
Operation



Installation



Warning.
Comply with rules provided for use (installation, fitting, etc.), operation, recalibration and replacement of water meters.
Also refer to assembly instructions.



Legend

1	Shut-off valve
2	Plastic spacer for water meter
3	Shut-off valve with integrated check function
4	Domestic water meter
5	Support unit

The two shut-off valves (1 - 3) are connected to the spacer (2) and sealing is provided by special gaskets.

We recommend replacing the water meter with the spacer to flush the system before installing the water meter.

To install the domestic water output in the user modules, use the two support units (5): metering cabinets are equipped with special guides; the plate must be installed inside the guide (5a); the clip (5b) must be installed on top of the guide and tightened using the screw (5c). We recommend preinstalling the support assembly before fitting the plate into the guide so that the only operation required is tightening of the screw.

Once the system has been flushed, the spacer (2) can be replaced with the water meter (4).

After installing all parts, test the system under pressure.

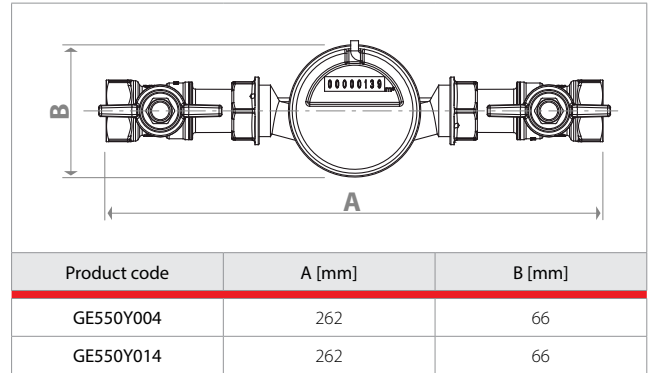


Warning.
Follow flow directions shown on water meter.

Data centralization

Water meter data can be remoted with energy meters GE552 and centralization components GE552-4.

Dimensions



Standards of reference

- CE marking
- MID (2014/32/EU)

Product specifications

GE550Y004

Domestic cold water meter output. Connections 3/4". Two shut-off valves with blue and green handles, chrome-plated ball, PTFE seals. Check valve with POM resin body and inner parts, stainless steel spring. Domestic cold water single-jet meter, with pulse output (REED contact), nominal flow rate 2,5 m³/h, center distance 110 mm. Plastic spacer for system flushing. Brackets for cabinet installation. Output length 262 mm. Max. working temperature 30 °C. Max. working pressure 16 bar. CE marking (MID compliance).

GE550Y014

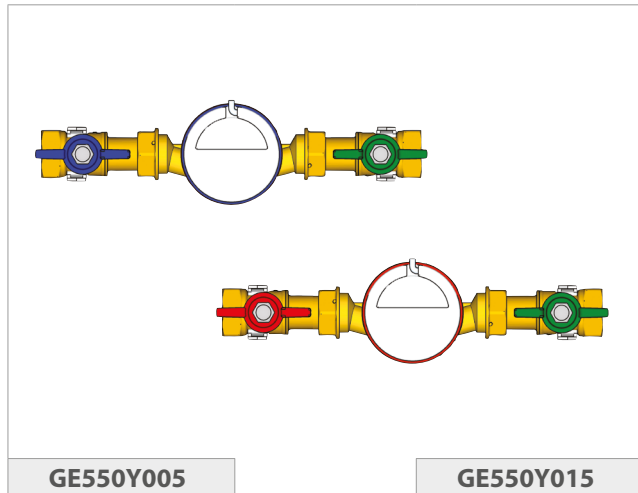
Domestic hot water meter output. Connections 3/4". Two shut-off valves with red and green handles, chrome-plated ball, PTFE seals. Check valve with POM resin body and inner parts, stainless steel spring. Domestic hot water single-jet meter, with pulse output (REED contact), nominal flow rate 2,5 m³/h, center distance 110 mm. Plastic spacer for system flushing. Brackets for cabinet installation. Output length 262 mm. Max. working temperature 90 °C. Max. working pressure 16 bar. CE marking (MID compliance).



Nota.
For additional information on domestic water meters GE552Y190-191, refer to technical sheet 0474EN.

Additional information

For more information, go to www.giacomini.com or contact our technical assistance service: ☎ +39 0322 923372 📠 +39 0322 923255 ✉ consulenza.prodotti@giacomini.com
This document provides only general indications. Giacomini S.p.A. may change at any time, without notice and for technical or commercial reasons, the items included herewith.
The information included in this technical sheet do not exempt the user from strictly complying with the rules and good practice standards in force.
Giacomini S.p.A. Via per Alzo, 39 - 28017 San Maurizio d'Opaglio (NO) Italy



Description

Domestic water unit outputs **GE550** are used to meter domestic water consumptions.

They include a pair of shut-off valves, a single-jet water meter (GE552Y195-196) and a spacer to replace the water meter.

The water meter is equipped with a totalizer to read consumptions; a pulse output enables smart metering via M-Bus.

The check valve integrated in the shut-off valve with a green handle provides highly reliable readings.

The handles of the other shut-off valves are blue or red respectively for domestic cold or hot water outputs.

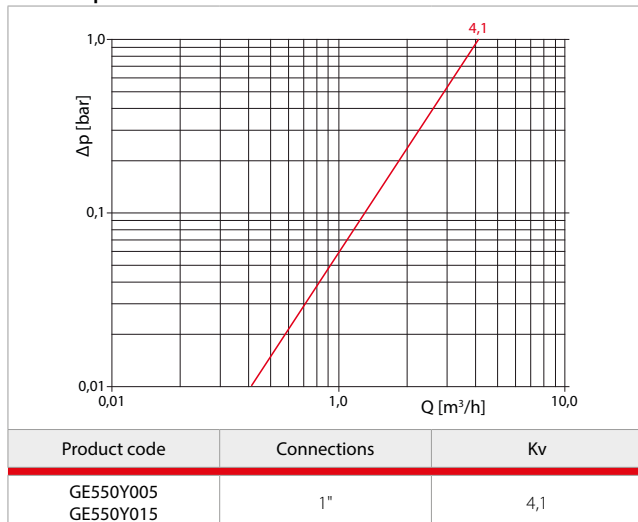
Versions and product codes

Codice	Tipo di acqua sanitaria	Attacchi	Interasse di montaggio [mm]
GE550Y005	fredda	1"	130
GE550Y015	calda	1"	130

Technical data

- Max. working temperature:
30 °C for domestic cold water meter
90 °C for domestic hot water meter
- Max. working pressure: 16 bar (10 bar with plastic spacer)

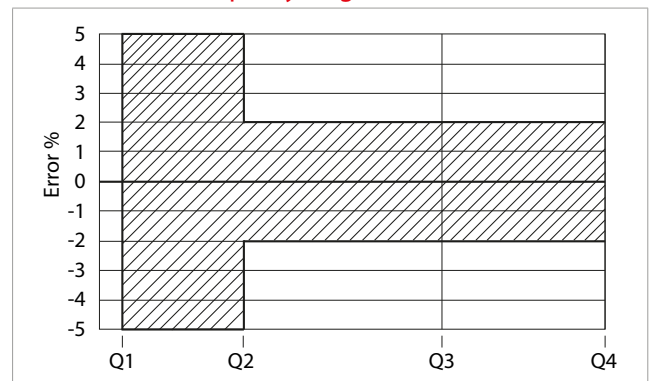
Losses of pressure



Main characteristics

- Horizontal or vertical installation
- Shut-off valves welded to water meter
- Dial with mechanical totalizers and index for partial consumptions and flow
- Pulse output with M-Bus presetting (1 pulse = 10 liters)
- Spacer for water meter for installation on site
- Brackets for fitting in user modules
- Brass shut-off valves with full port, chrome-plated ball, PTFE seals
- Check valve with POM resin body and inner parts, stainless steel spring
- CE marking (MID compliance)

Water meter error quality diagram

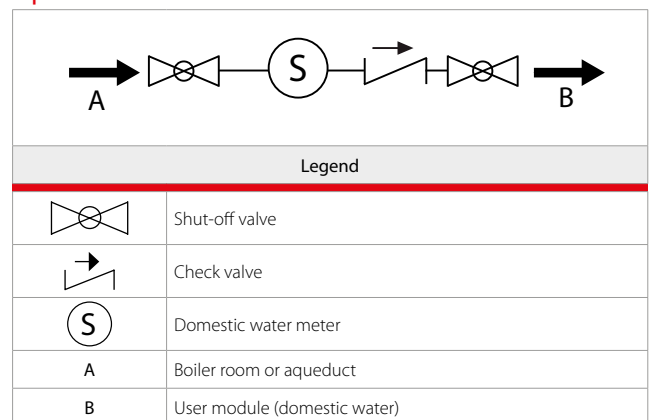


GE552Y195, GE552Y196 (1")

Installation	Q3 [m³/h]	Q1 [m³/h]	Q2 [m³/h]	Q4 [m³/h]
Horizontal	4,0	0,050	0,080	5,0
Vertical	4,0	0,100	0,160	5,0

- Q2 / Q1 = 1,6
- Q3 / Q1 = 80 (horizontal installation)
- Q3 / Q1 = 40 (vertical installation)

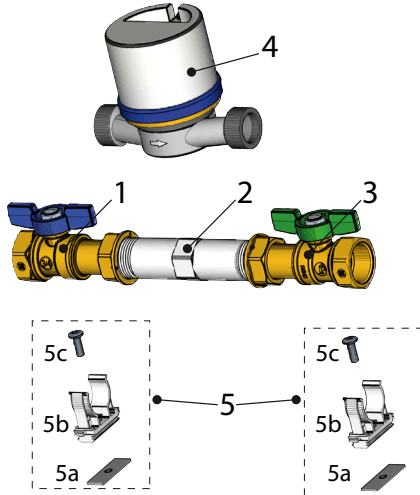
Operation



Installation



Warning.
Comply with rules provided for use (installation, fitting, etc.), operation, recalibration and replacement of water meters.
Also refer to assembly instructions.



Legend

1	Shut-off valve
2	Plastic spacer for water meters
3	Shut-off valve with integrated check function
4	Domestic water meter
5	Support unit

The two shut-off valves (1 - 3) are connected to the spacer (2) and sealing is provided by special gaskets.

We recommend replacing the water meter with the spacer to flush the system before installing the water meter.

To install the domestic water output in the user modules, use the two support units (5): metering cabinets are equipped with special guides; the plate must be installed inside the guide (5a); the clip (5b) must be installed on top of the guide and tightened using the screw (5c). We recommend preinstalling the support assembly before fitting the plate into the guide so that the only operation required is tightening of the screw.

Once the system has been flushed, the spacer (2) can be replaced with the water meter (4).

After installing all parts, test the system under pressure.

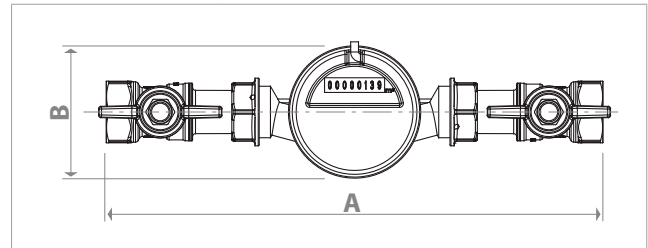


Warning.
Follow flow directions shown on water meter.

Data centralization

Water meter data can be remoted with energy meters GE552 and centralization components GE552-4.

Dimensions



Product code	A [mm]	B [mm]
GE550Y005	310	66
GE550Y015	310	66

Standards of reference

- CE marking
- MID (2014/32/EU)

Product specifications

GE550Y005

Domestic cold water meter output. Connections 1". Two shut-off valves with blue and green handles, chrome-plated ball, PTFE seals. Check valve with POM resin body and inner parts, stainless steel spring. Domestic cold water single-jet meter, with pulse output (REED contact), nominal flow rate 4,0 m³/h, center distance 130 mm. Plastic spacer for system flushing. Brackets for cabinet installation. Output length 310 mm. Max. working temperature 30 °C. Max. working pressure 16 bar. CE marking (MID compliance).

GE550Y015

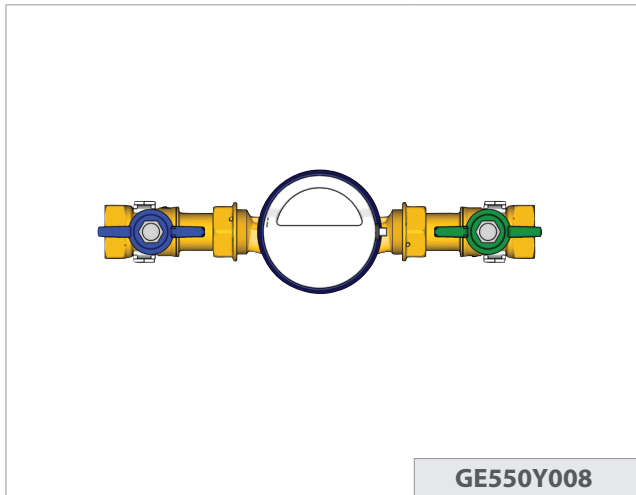
Domestic hot water meter output. Connections 1". Two shut-off valves with red and green handles, chrome-plated ball, PTFE seals. Check valve with POM resin body and inner parts, stainless steel spring. Domestic hot water single-jet meter, with pulse output (REED contact), nominal flow rate 4,0 m³/h, center distance 130 mm. Plastic spacer for system flushing. Brackets for cabinet installation. Output length 310 mm. Max. working temperature 90 °C. Max. working pressure 16 bar. CE marking (MID compliance).



Note.
For additional information on domestic water meters GE552Y195-196, refer to technical sheet 0474EN.

Additional information

For more information, go to www.giacomini.com or contact our technical assistance service: ☎ +39 0322 923372 📠 +39 0322 923255 ✉ consulenza.prodotti@giacomini.com
This document provides only general indications. Giacomini S.p.A. may change at any time, without notice and for technical or commercial reasons, the items included herewith.
The information included in this technical sheet do not exempt the user from strictly complying with the rules and good practice standards in force.
Giacomini S.p.A. Via per Alzo, 39 - 28017 San Maurizio d'Opaglio (NO) Italy



GE550Y008

Description

Unit output GE550Y008 is enhanced for use as third output in service water metering.

It includes a pair of shut-off valves, a single-jet water meter (GE552Y124) and a spacer to replace the water meter.

The check valve integrated in the shut-off valve with a green handle provides highly reliable readings.

The M-Bus module (GE552Y014) is included: the water meter output cables are already set with the M-Bus signal, as opposed to the other domestic water meters that feature a pulse output. Item GE550Y008 can be used also as standard device with domestic cold water.

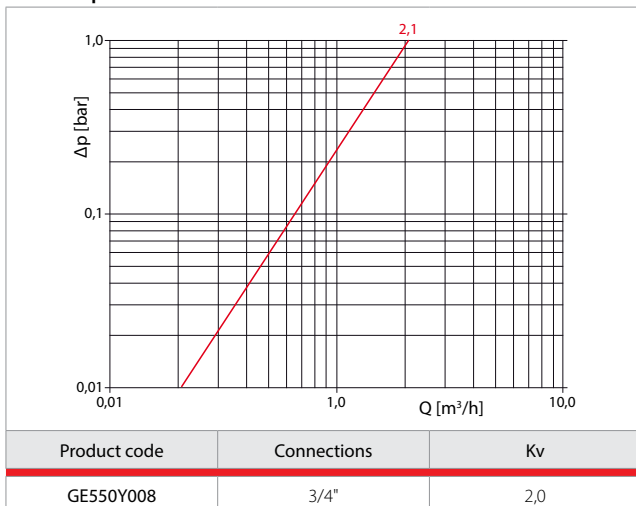
Versions and product codes

Product code	Type of domestic water	Connections	Installation center distance [mm]
GE550Y008	fredda - di servizio	3/4"	110

Technical data

- Max. working temperature: 30 °C
- Max. working pressure: 16 bar (10 bar with plastic spacer)

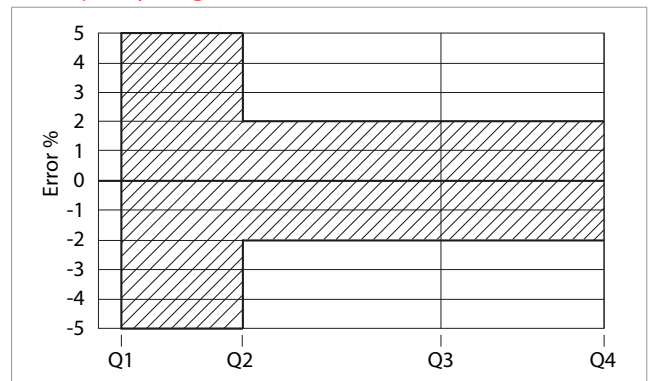
Losses of pressure



Main characteristics

- Module GE552Y014 with M-Bus outlet (splittable from water meter)
- M-Bus module battery life: indefinite with M-bus feed; one year without M-Bus feed (activated after first reading of water meter)
- Horizontal or vertical installation
- Shut-off valves welded to water meter
- Dial with mechanical totalizers and index for partial consumptions and flow
- Spacer for water meter for installation on site
- Brackets for fitting in user modules
- Brass shut-off valves with full port, chrome-plated ball, PTFE seals
- Check valve with POM resin body and inner parts, stainless steel spring
- CE marking (MID compliance)

Error quality diagram

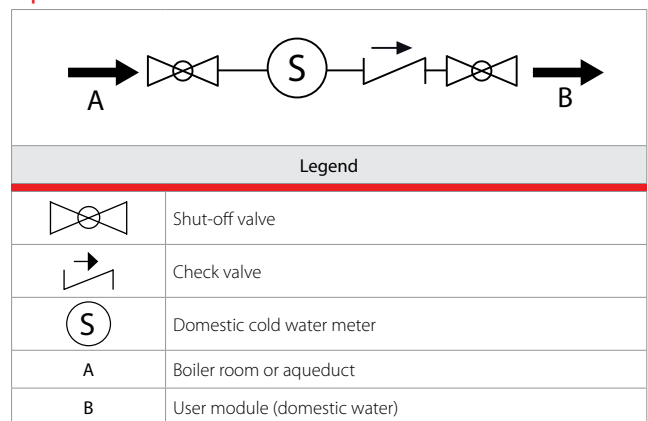


GE552Y124 (3/4")

Installation	Q3 [m³/h]	Q1 [m³/h]	Q2 [m³/h]	Q4 [m³/h]
Horizontal	2,5	0,025	0,040	3,1
Vertical	2,5	0,025	0,040	3,1

- Q2 / Q1 = 1,6
- Q3 / Q1 = 100 (horizontal installation)
- Q3 / Q1 = 50 (vertical installation)

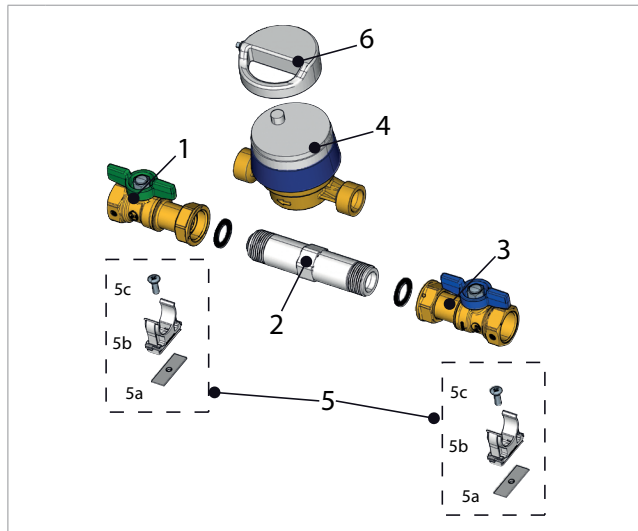
Operation



Installation



Warning.
Comply with rules provided for use (installation, fitting, etc.), operation, recalibration and replacement of water meters.
Also refer to assembly instructions



Legend

1	Shut-off valve with integrated check function
2	Plastic spacer for water meters
3	Shut-off valve
4	Domestic water meter
5	Support unit
6	M-Bus module GE552Y014

The two shut-off valves (1 - 3) are connected to the spacer (2) and sealing is provided by special gaskets.

We recommend replacing the water meter with the spacer to flush the system before installing the water meter.

Item GE550Y008 includes three supports to fit the user modules: the user modules are equipped with special guides; the plate must be installed inside the guide (5a); the clip (5b) must be installed on top of the guide and tightened using the screw (5c).

We recommend preinstalling the support assembly before fitting the plate into the guide so that the only operation required is tightening of the screw. Once the system has been flushed, the spacer (2) can be replaced with the water meter (4).

After installing all parts, test the system under pressure.

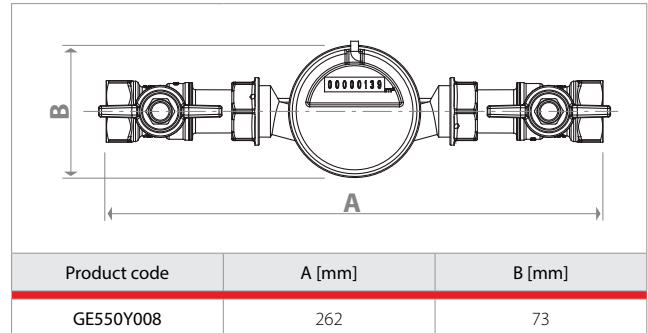


Warning.
Follow flow directions shown on water meter.

Data centralization

Water meter data can be remoted with energy meters GE552 and centralization components GE552-4.

Dimensions



Standards of reference

- CE marking
- MID (2014/32/EU)

Product specifications

GE550Y008

Domestic cold water unit output for service water. Connections 3/4". Two shut-off valves with blue and green handles, chrome-plated ball, PTFE seals. Check valve with POM resin body and inner parts, stainless steel spring. Domestic cold water single-jet meter, with M-Bus module, nominal flow 2,5 m³/h, center distance 110 mm. Plastic spacer for system flushing. Brackets for cabinet installation. Output length 262 mm. Max. working temperature 30 °C. Max. working pressure 16 bar. CE marking (MID compliance).



Note.
For additional information on domestic water meters GE552Y124, refer to technical sheet 0527EN.

Additional information

For more information, go to www.giacomini.com or contact our technical assistance service: ☎ +39 0322 923372 📠 +39 0322 923255 ✉ consulenza.prodotti@giacomini.com
This document provides only general indications. Giacomini S.p.A. may change at any time, without notice and for technical or commercial reasons, the items included herewith.
The information included in this technical sheet do not exempt the user from strictly complying with the rules and good practice standards in force.
Giacomini S.p.A. Via per Alzo, 39 - 28017 San Maurizio d'Opaglio (NO) Italy

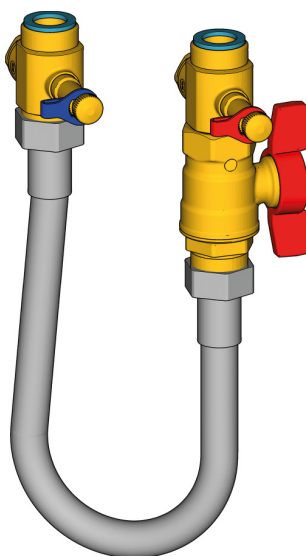
GE550Y022



Energy
Management

Kit di lavaggio impianto per dime GE551Y083/84/85 *System washing kit for GE551Y083/84/85 templates*

Scheda tecnica/Istruzione
Datasheet/Instruction
1029ML 03/2020
047U58648



Kit di lavaggio impianto per dime GE551Y083, GE551Y084, GE551Y085 installabili su satelliti GE556-1 e GE556-6. Con valvola di intercettazione chiusa il kit permette inoltre di misurare la pressione differenziale del circuito primario sul satellite.

System washing kit for GE551Y083, GE551Y084, GE551Y085 templates, that can be installed on GE556-1 and GE556-6 heat interface units.

With the shut-off valve closed, the kit also allows to measure the differential pressure of the primary circuit on the HIU.

➤ Versioni e codici

➤ Versions and product codes

CODICE PRODUCT CODE	PER DIME FOR TEMPLATES
GE550Y022	GE551Y083, GE551Y084, GE551Y085


NOTA. Per le dime GE550Y083 e GE550Y084 versione vecchia, aggiungere adattatore GE550Y021.

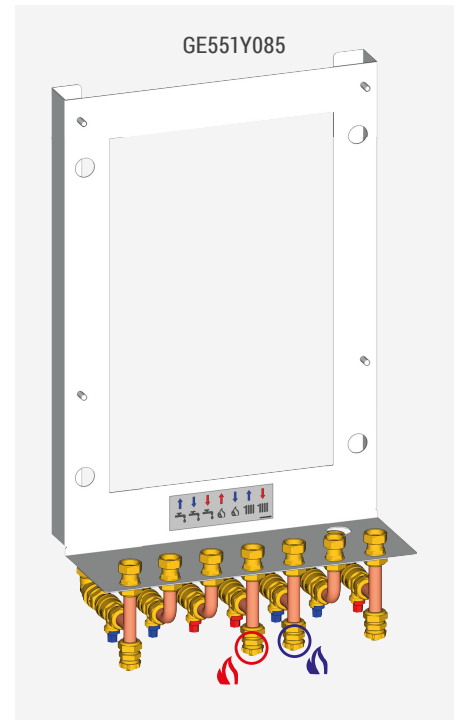
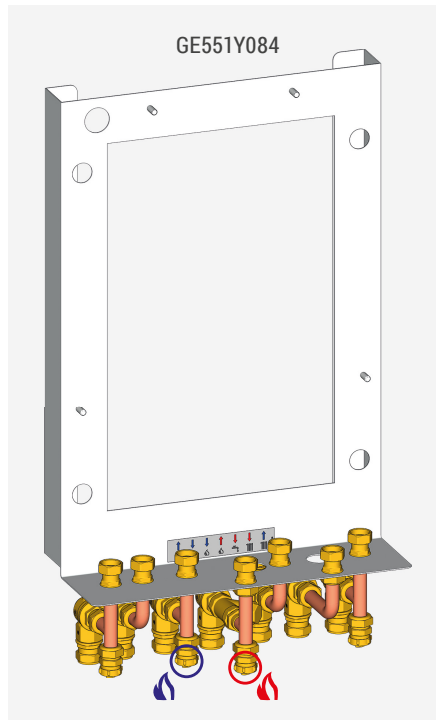
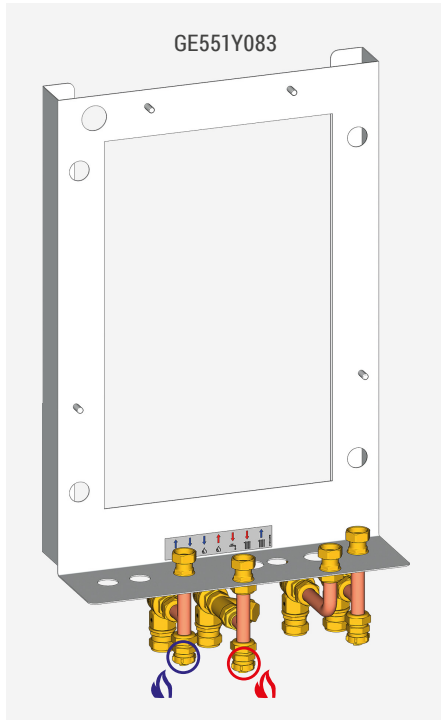
NOTE. For GE550Y083 and GE550Y084 old version templates, use the GE550Y021 adaptor.

► Installazione

🔗 **NOTA.** Per maggiore semplicità di lettura le immagini di installazione del kit sono mostrate senza satellite installato sulla dima.

🔗 **NOTA.** Le operazioni di installazione e di lavaggio devono essere effettuate con satellite spento, in modo che il satellite sia chiuso per l'ingresso dell'acqua da circuito primario.

Il kit di lavaggio GE550Y022 deve essere installato tra l'ingresso e l'uscita del lato primario della dima, individuabili dai simboli  presenti sull'etichetta della dima.



► Installation

🔗 **NOTE.** For ease of reading the kit installation images are shown without HIU installed on the template.

🔗 **NOTE.** Installation and washing operations must be carried out with the heat unit interface off, so that the HIU is closed for the entry of water from the primary circuit.

The GE550Y022 washing kit must be installed between the inlet and outlet of the primary circuit of the template, identifiable by the symbols  on the template label.

⚠ **AVVERTENZA.** Accertarsi che il satellite sia chiuso sul circuito primario (ovvero spento: non effettuare prelievi di acqua calda sanitaria e tenere spento il riscaldamento durante l'operazione).

Per installare il kit GE550Y022 procedere come segue:

- 1) Chiudere le valvole a sfera (A) del circuito primario, presenti sul retro della dima, utilizzando una chiave a brugola da 8 mm o una chiave inglese da 13 mm.
- 2) Rimuovere il tappo e il nipplo filettato maschio.
- 3) Installare il kit di lavaggio GE550Y022, completo di guarnizioni, sulla dima, serrando la calotta con una coppia massima di 35 Nm.
- 4) Aprire le valvole a sfera (A) e (B) ed effettuare il lavaggio dell'impianto.
- 5) A lavaggio terminato è possibile lasciare montato il kit GE550Y022 chiudendo la valvola a sfera (B), oppure smontarlo ripetendo i passaggi in ordine inverso.

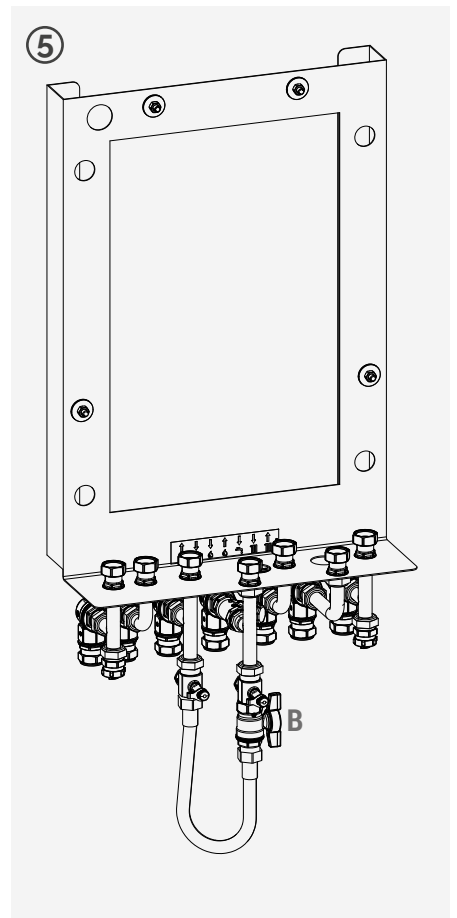
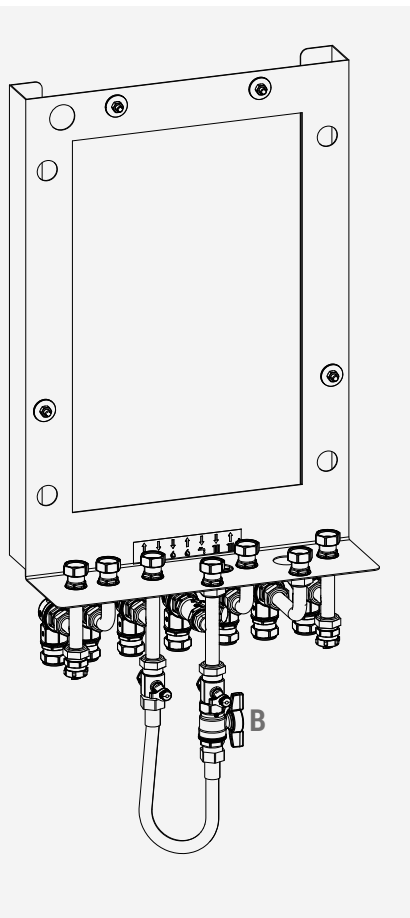
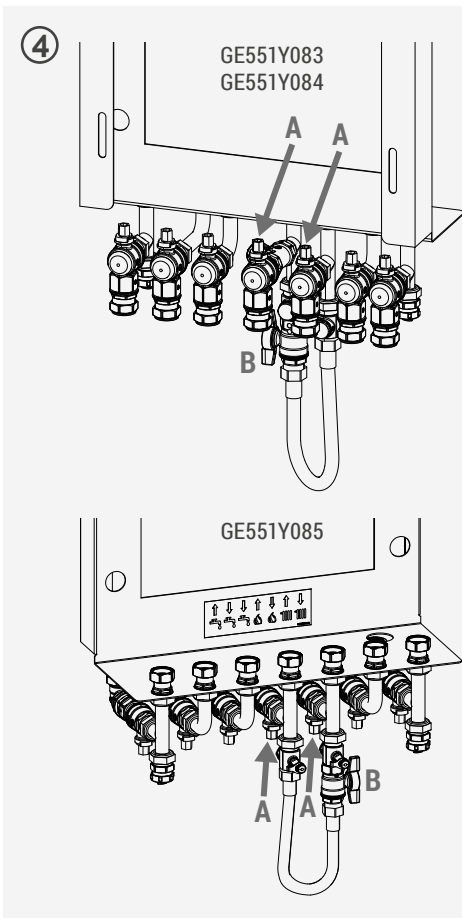
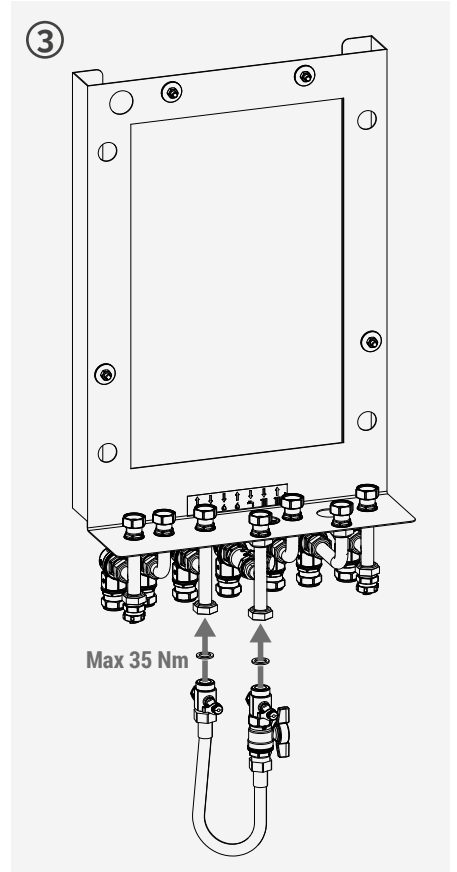
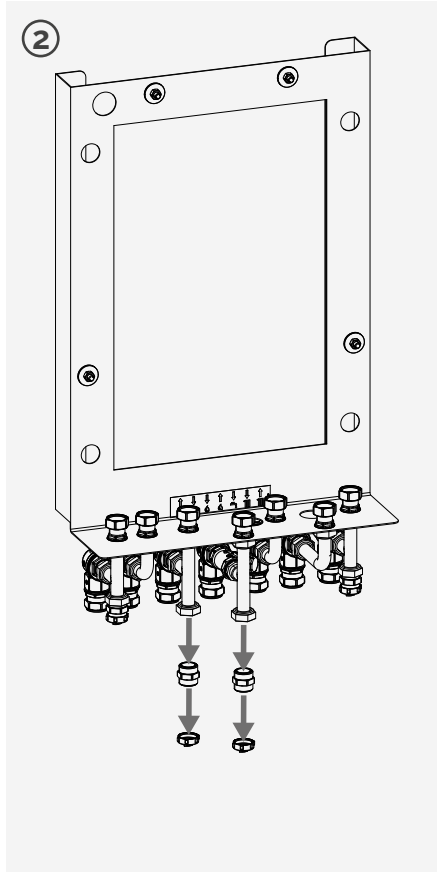
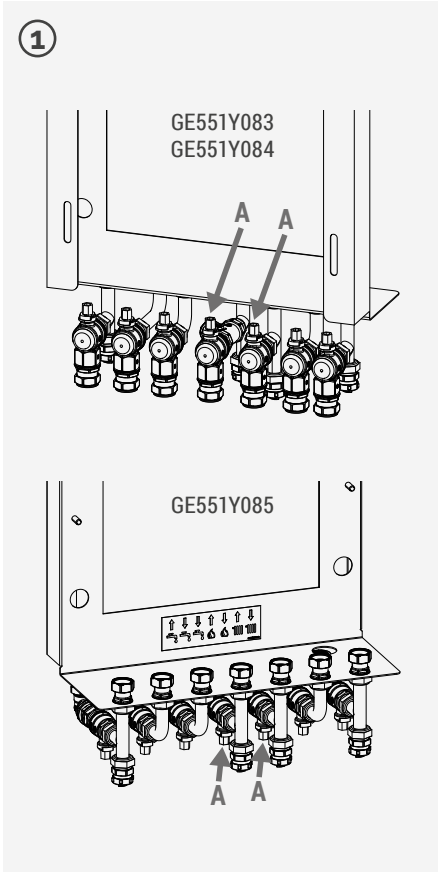
⚠ **AVVERTENZA.** Se il kit viene lasciato montato al satellite, assicurarsi che il by-pass sia chiuso dopo il lavaggio, altrimenti ciò potrebbe influire notevolmente sulle prestazioni del satellite e sull'efficienza dell'impianto.

⚠ **WARNING.** Make sure that the HIU is closed on the primary circuit (i.e. switched-off: do not withdraw hot domestic water and keep the heating off during the operation).

To install the GE550Y022 kit, proceed as follows:

- 1) Close the primary circuit ball valves (A), on the back of the template, using an 8 mm Allen wrench or a 13 mm wrench.
- 2) Remove the cap and male threaded nipple.
- 3) Install the GE550Y022 washing kit, complete with gaskets, on the template, tightening the nut with a maximum torque of 35 Nm.
- 4) Open the ball valves (A) and (B) and start washing the system.
- 5) After washing, the GE550Y022 kit can be left assembled by closing the ball valve (B), or disassembled by repeating the steps in reverse order.

⚠ **WARNING.** If the kit is left assembled to the HIU, please ensure by-pass is closed after flushing, otherwise this can greatly effect HIU performance and plant efficiency.



➤ Misurazione pressione differenziale

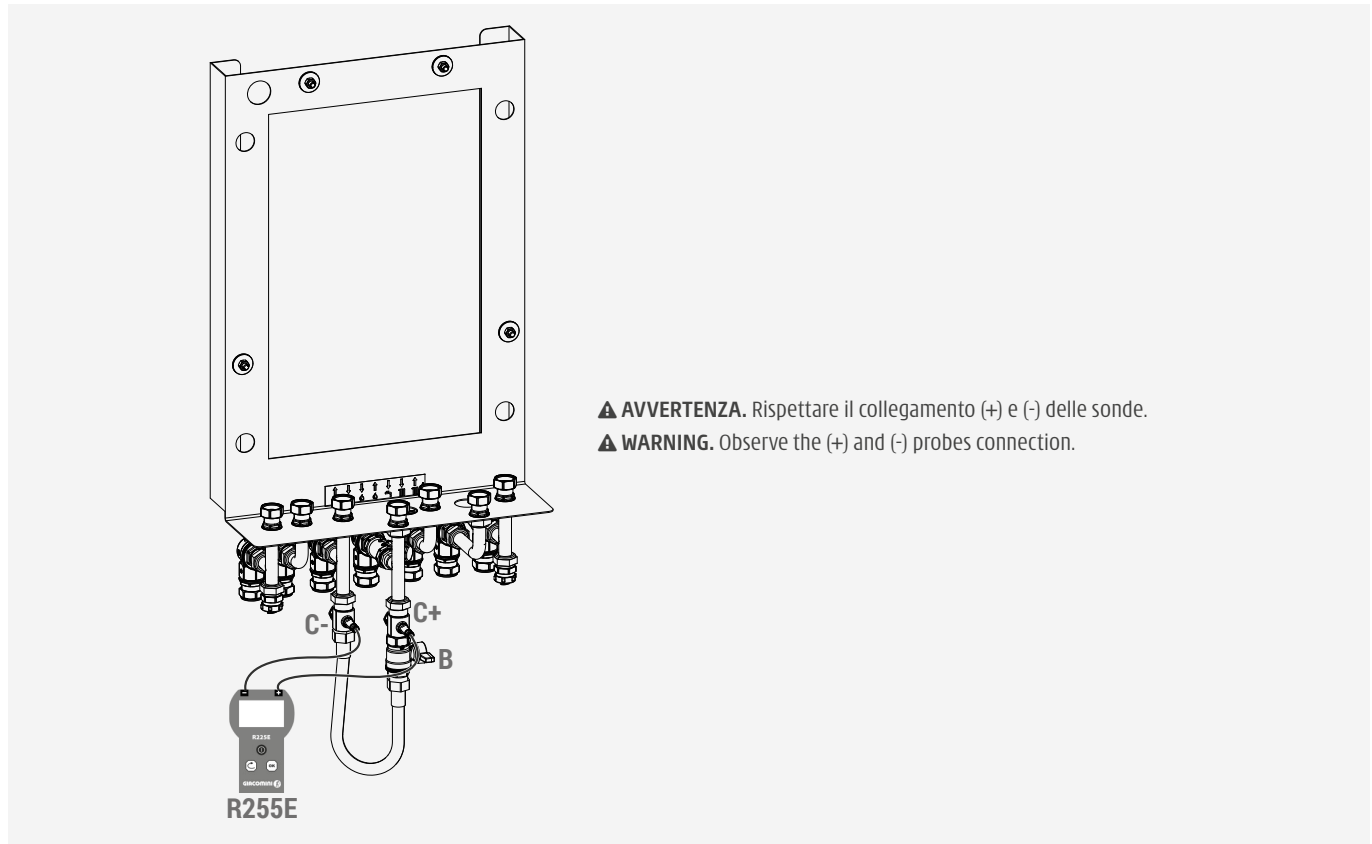
Chiudendo la valvola di intercettazione (B) e collegando il manometro differenziale R225E alle prese di pressione (C) è possibile misurare la pressione differenziale del circuito primario sul satellite.

🔧 **NOTA.** Effettuare questa operazione con satellite spento.

➤ Differential pressure measurement

By closing the shut-off valve (B) and connecting the R225E differential pressure gauge to the pressure outlets (C) it is possible to measure the differential pressure of the primary circuit on the HIU.

🔧 **NOTE.** Do this operation with the HIU off.



⚠ **Avvertenze per la sicurezza.** L'installazione, la messa in servizio e la periodica manutenzione del prodotto devono essere eseguite da personale professionalmente abilitato, in accordo con i regolamenti nazionali e/o i requisiti locali. L'installatore qualificato deve adottare tutti gli accorgimenti necessari, incluso l'utilizzo di Dispositivi di Protezione Individuale, per assicurare la propria incolumità e quella di terzi. L'errata installazione può causare danni a persone, animali o cose nei confronti dei quali Giacomini S.p.A. non può essere considerata responsabile.

♻ **Smaltimento imballo.** Scatole in cartone: raccolta differenziata carta. Sacchetti in plastica e pluriball: raccolta differenziata plastica.

♻ **Smaltimento del prodotto.** Alla fine del suo ciclo di vita il prodotto non deve essere smaltito come rifiuto urbano. Può essere portato ad un centro speciale di riciclaggio gestito dall'autorità locale o ad un rivenditore che offre questo servizio.

ℹ **Altre informazioni.** Per ulteriori informazioni consultare il sito giacomini.com o contattare il servizio tecnico. Questa comunicazione ha valore indicativo. Giacomini S.p.A. si riserva il diritto di apportare in qualunque momento, senza preavviso, modifiche per ragioni tecniche o commerciali agli articoli contenuti nella presente comunicazione. Le informazioni contenute in questa comunicazione tecnica non esentano l'utilizzatore dal seguire scrupolosamente le normative e le norme di buona tecnica esistenti.

⚠ **Safety warning.** Installation, commissioning and periodical maintenance of the product must be carried out by qualified operators in compliance with national regulations and/or local standards. A qualified installer must take all required measures, including use of Individual Protection Devices, for his and others' safety. An improper installation may damage people, animals or objects towards which Giacomini S.p.A. may not be held liable.

♻ **Package Disposal.** Carton boxes: paper recycling. Plastic bags and bubble wrap: plastic recycling.

♻ **Product Disposal.** Do not dispose of product as municipal waste at the end of its life cycle. Dispose of product at a special recycling platform managed by local authorities or at retailers providing this type of service.

ℹ **Additional information.** For more information, go to giacomini.com or contact our technical assistance service. This document provides only general indications. Giacomini S.p.A. may change at any time, without notice and for technical or commercial reasons, the items included herewith. The information included in this technical sheet do not exempt the user from strictly complying with the rules and good practice standards in force.