

Description

Preassembled unit outputs **GE550-1** are equipped with a thermostatic mixer in domestic water metering outputs.

The outputs are provided with a plastic spacer to install water meters (GE550Y111) or with two domestic water meters to display the overall consumption value and preset for M-Bus centralization (GE550Y024).

The shut-off valve handles are blue or red indicating respectively the cold and hot water inlet.

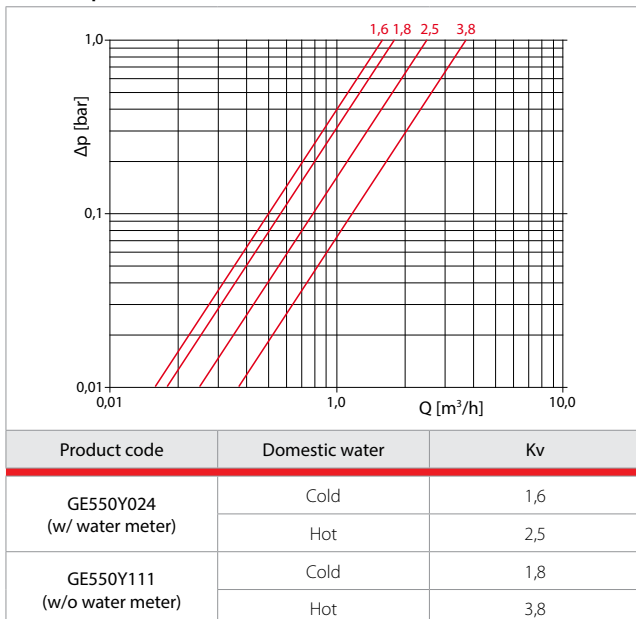
Versions and product codes

Product code	Connections	Thermostatic mixer	Domestic water meter	Plastic clip
GE550Y024	3/4"	YES	YES (2)	YES
GE550Y111	3/4"	YES	NO	YES

Technical data

- Max. working temperature: 90 °C on domestic hot water circuit
30 °C on domestic cold water circuit
- Max. working pressure: 16 bar (10 bar with plastic spacer)

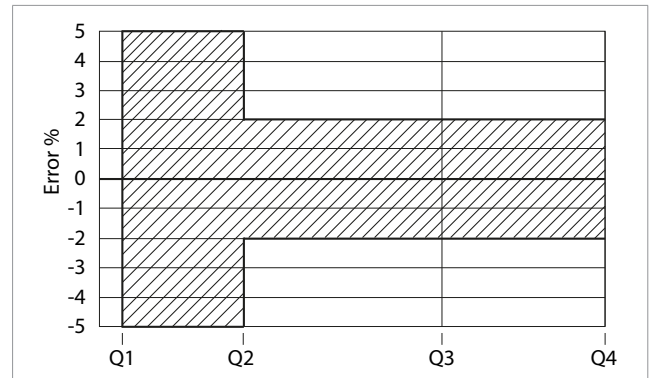
Losses of pressure



Main characteristics

- Connections 3/4"
- Horizontal or vertical installation
- Thermostatic mixer for domestic water (series R156)
- Cabinet installation brackets
- Preset for water meter installation with plastic spacer (GE550Y111)
- Domestic cold water meter (GE552Y190) and hot water meter (GE552Y191), with pulse output for M-Bus centralization (GE550Y024)

Water meter error quality diagram

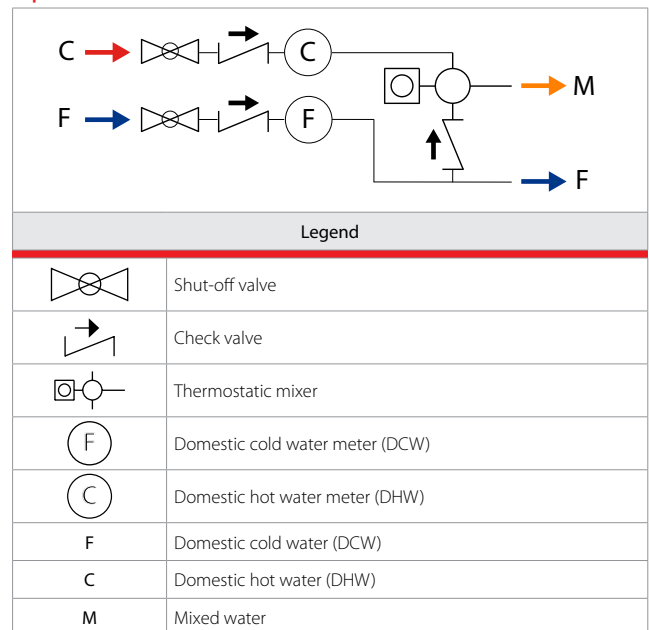


GE552Y190, GE552Y191 (3/4")

Installation	Q3 [m³/h]	Q1 [m³/h]	Q2 [m³/h]	Q4 [m³/h]
Horizontal	2,5	0,031	0,050	3,1
Vertical	2,5	0,063	0,100	3,1

• Q2 / Q1 = 1,6
• Q3 / Q1 = 80 (horizontal installation)
• Q3 / Q1 = 40 (vertical installation)

Operation



Installation



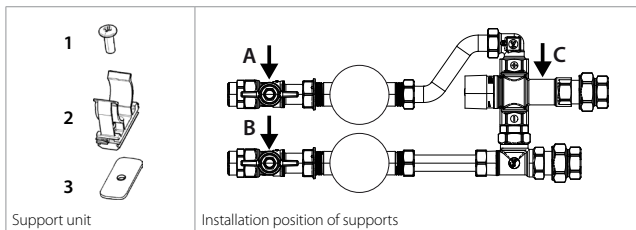
Warning.
Comply with rules provided for use (installation, fitting, etc.), operation, recalibration and replacement of water meters.
Also refer to assembly instructions.

1) Connection of unit to cabinet and system pipes

For installation on site, replace the water meters with the spacers included with GE550Y111 and GE550Y024 to flush the pipes without damaging the water meters.

GE550-1 unit outputs include three brackets for cabinet installation: GE551 cabinets include special guides; the plate (n. 3) must be installed inside the guide; the clip (n. 2) must be placed on top of the guide and tightened using the screw (n. 1). We recommend preinstalling the support assembly before fitting the plate into the guide so that the only operation required is tightening of the screw.

To connect to the system pipes, we suggest using the valve and the 3-part fitting nuts on the ends of GE550-1 unit outputs.



2) Flushing the system.

The system must be flushed before installing the water meters.

3) Replacing the spacers.

Once the system has been flushed, the spacers can be replaced with the water meters.



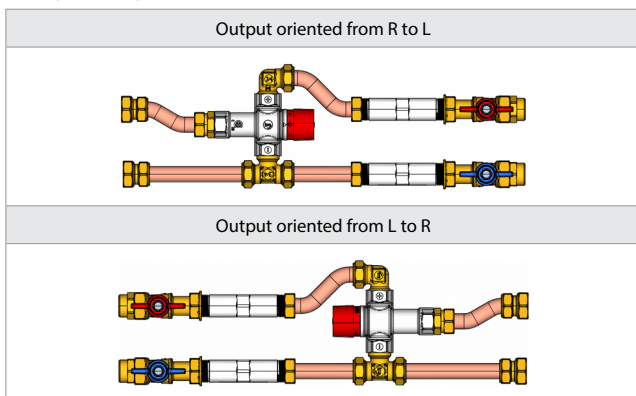
Warning.
Follow directions shown on the water meter body.

4) Testing the system.

Check proper sealing after connecting and replacing the water meters.

Setting

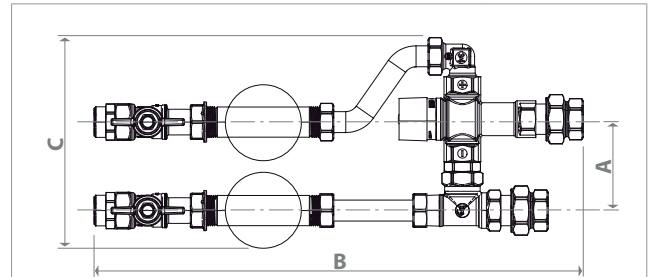
The domestic hot water temperature can be set using the handwheel of the thermostatic mixer R156. With outputs oriented from left to right, setting of mixer R156 is not visible directly: refer to print line corresponding to a position lower by 2 versus setting (example: if the mixer setting is 3, print line corresponds to position 1).



Data centralization

Water meter data can be remoted with energy meters GE552 and centralization components GE552-4.

Dimensions



Product code	A [mm]	B [mm]	C [mm]
GE550Y024	75	420	218
GE550Y111	70	420	218

Standards of reference

- CE marking
- MID (2014/32/EU)

Product specifications

GE550Y024

Domestic cold and hot water meter output. Connections 3/4". Integrated thermostatic mixer with temperature range 38÷60 °C. Two shut-off valves with blue and red handles, chrome-plated ball, PTFE seals. Check valve with POM resin body and inner parts, stainless steel spring. Single-jet water meter for domestic cold and hot water, pulse output (REED contact), nominal flow rate 2,5 m³/h, center distance 110 mm. Plastic spacer for system flushing. Brackets for cabinet installation. Output length 420 mm. Max. working temperature 90 °C (30 °C for domestic cold water). Max. working pressure 16 bar.

GE550Y111

Domestic cold and hot water meter output. Connections 3/4". Integrated thermostatic mixer with temperature range 38÷60 °C. Two shut-off valves with blue and red handles, chrome-plated ball, PTFE seals. Check valve with POM resin body and inner parts, stainless steel spring. Preset for installation of domestic water meter with plastic spacer. Brackets for cabinet installation. Output length 420 mm. Output may be completed by ordering separately: single-jet water meter for domestic cold and hot water, pulse output (REED contact), nominal flow rate 2,5 m³/h, center distance 110 mm. Max. working temperature 90 °C (30 °C for domestic cold water). max. working pressure 16 bar.



Note.
For additional information on domestic water meters GE552Y190-191 refer to technical sheet 0474EN.

Additional information

For more information, go to www.giacomini.com or contact our technical assistance service: ☎ +39 0322 923372 📠 +39 0322 923255 ✉ consulenza.prodotti@giacomini.com
This document provides only general indications. Giacomini S.p.A. may change at any time, without notice and for technical or commercial reasons, the items included herewith.
The information included in this technical sheet do not exempt the user from strictly complying with the rules and good practice standards in force.
Giacomini S.p.A. Via per Alzo, 39 - 28017 San Maurizio d'Opaglio (NO) Italy