



A95

A96

Description

Two-way siamese connections used as an auxiliary inlet connection providing 500 GPM minimum to supplement the fire protection water supply. Swing clapper provides full waterway. Exposed design provides an economical method of satisfying Fire Department. inlet requirements. These connections are most commonly located on the side of buildings (A95), but may also be located remote from the building (A96). These are known as “freestanding” or “sidewalk” Fire Department Connections). NFPA 13 requires the fire department connection to be located on the street side of buildings, but there are situations where locating the FDC in these locations is unpractical (e.g. large shopping malls), so solution as A96 are adopted.

Versions and product codes

Series	Size	Branding	Type	Finishing
A95	4" x 2 1/2"	"AUTO SPKR"	Two pin or rocker lug hose thread swivel inlets x straight NPT outlet Single clapper-back	Rough brass
A96	4" x 2 1/2"	"AUTO SPKR"	Two pin or rocker lug hose thread swivel inlets x angle NPT outlet Single clapper-angle	Rough brass

Technical data

- Rated pressure: 300 PSI (20,6 bar)

Materials: A95 and A96

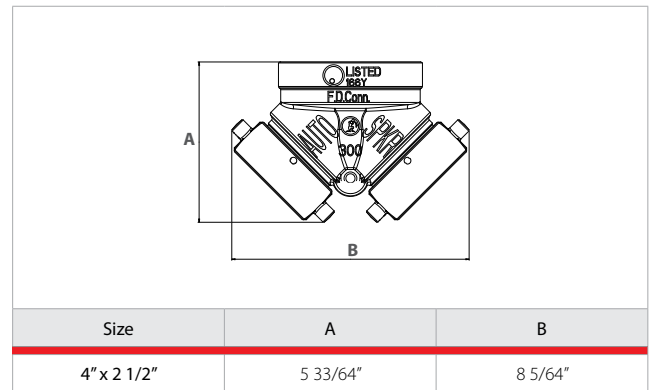
- Body: casted brass CuZn37Pb2Ni1AlFe-B in accordance with European Standard UNI EN1982-2000 CB753S, corresponding to American Standard ASTM B30 C85700
- Tensile strength of the material in the shape of bar: min. 300 MPa
- Stress for permanent distortion R(0.2): min. 150 MPa
- Elongation: min. 15 %
- Clapper and swivels: forged brass CuZn40Pb2 in accordance with European Standard EN 12165 CW617N, similar to American Standard ASTM B124 C37700
- Yield stress of the material in the shape of bar: 360 MPa
- Stress for permanent distortion R(0.2): 138 MPa
- Elongation: 10 %

Approvals: A95 and A96

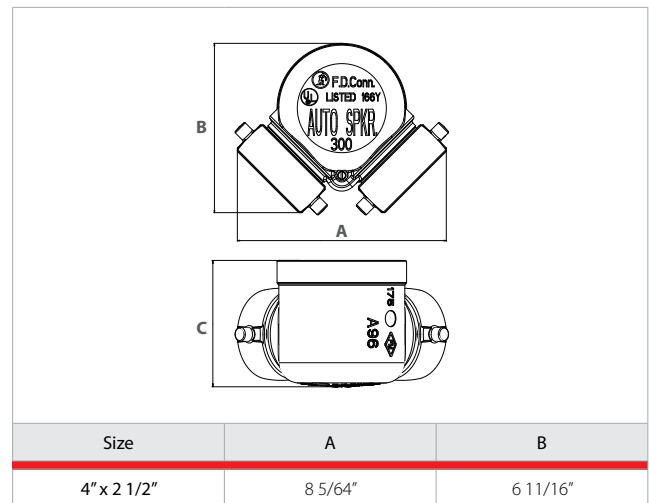


Dimensions

A95 - TWO HOSE THREAD SWIVEL INLETS x STRAIGHT NPT OUTLET



A96 - TWO HOSE THREAD SWIVEL INLETS x ANGLE NPT OUTLET



Product specifications

A95

Exposed Fire Department Inlet Connection, two way inlet body with single-back swing clapper and pin or rocker lug hose thread swivels; straight NPT outlet connection with main feature as following:

- Casted brass body
- Forged brass clapper
- Forged brass swivels
- 2 1/2" two pin or rocker lug hose thread swivel inlets
- 4" straight NPT outlet
- Rated pressure 300 psi
- FM approved, UL listed

A96

Exposed Fire Department Inlet Connection, two way inlet body with single swing clapper and pin or rocker lug hose thread swivels; angle NPT outlet connection with main feature as following:

- Casted brass body
- Forged brass clapper
- Forged brass swivels
- 2 1/2" two pin or rocker lug hose thread swivel inlets
- 4" straight NPT outlet
- Rated pressure 300 psi
- FM approved, UL listed



Additional information

For additional information please check the website www.giacomini.com or contact the technical service: ☎ +39 0322 923372 📠 +39 0322 923255 ✉ consulenza.prodotti@giacomini.com
This pamphlet is merely for information purposes. Giacomini S.p.A. retains the right to make modifications for technical or commercial reasons, without prior notice, to the items described in this pamphlet. The information described in this technical pamphlet does not exempt the user from following carefully the existing regulations and norms on good workmanship.
Giacomini S.p.A. Via per Alzo, 39 - 28017 San Maurizio d'Opaglio (NO) Italy