



A55

A56

Description

Forged brass hose valve, angle pattern for the control of the flow of water from a pipe out to the valve and usually along a standpipe riser. Turning the handle of the hose valve allows the water to flow out from the valve, or shuts it off to prevent any more water from running out.

It is used with a Fire Hose Rack Assembly, or as a Fire Department outlet connection.

Female NPT inlet and Female NPT outlet (A55) or male hose thread outlet (A56). 300 lbs rated. With red handwheel.

Versions and product codes

Series	Size	Type	Finishing
A55	1 1/2" x 1 1/2"	NPT inlet (F) x NPT outlet (F)	Rough Brass Polished Brass Rough Chrome Polished Chrome
	2 1/2" x 2 1/2"		
A56	1 1/2" x 1 1/2"	NPT inlet (F) x Hose thread outlet (M)	Rough Brass Polished Brass Rough Chrome Polished Chrome
	2 1/2" x 2 1/2"		

Technical data

- Rated pressure: 300 PSI (20,6 bar)

Materials

- Body: forged brass CuZn40Pb2 in accordance with European Standard EN 12165 CW617N, similar to American Standard ASTM B124 C37700
- Yield stress of the material in the shape of bar: 360 MPa
- Stress for permanent distortion R(0.2): 138 MPa
- Elongation: 10 %
- Shutter: forged brass CuZn40Pb2 in accordance with European Standard EN 12165 CW617N, similar to American Standard ASTM B124 C37700
- Stem: brass EN 12164 CW614N similar to American Standard ASTM B124 C37700
- Handwheel: red painted aluminum- Rated pressure 300 psi

Approvals: A55

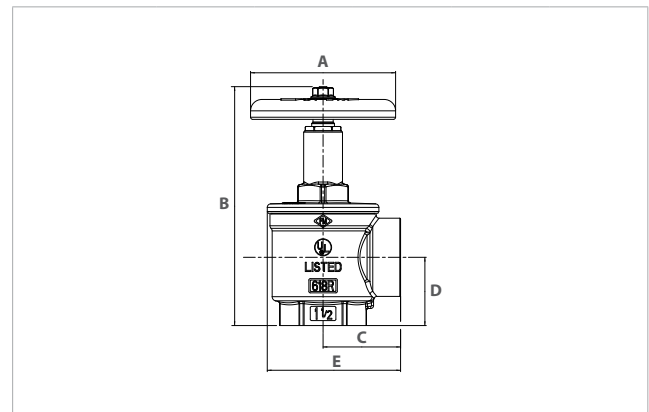


Approvals: A56



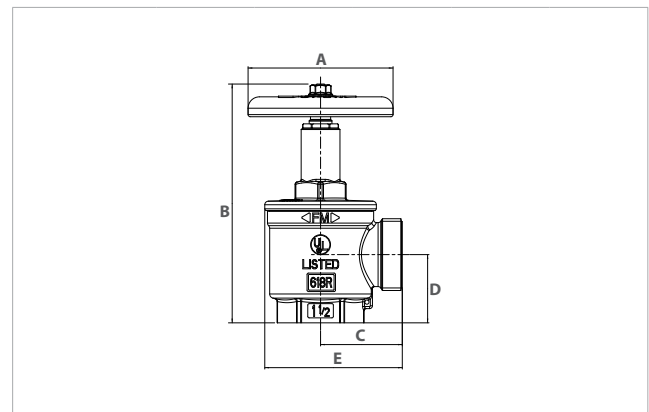
Dimensions

A55 - FEMALE x FEMALE NPT THREAD



Size	A	B	C	D	E
1 1/2" x 1 1/2"	4 1/32"	7 19/32"	2 5/32"	1 7/8"	3 11/16"
2 1/2" x 2 1/2"	5 1/8"	10 19/32"	3 5/32"	2 5/8"	5 11/32"

A56 - FEMALE NPT THREAD x MALE HOSE THREAD



Size	A	B	C	D	E
1 1/2" x 1 1/2"	4 1/32"	7 19/32"	2 1/4"	1 7/8"	3 13/16"
2 1/2" x 2 1/2"	5 1/8"	10 19/32"	3 3/16"	2 5/8"	5 3/8"

Product specifications

A55 1 1/2"

Angle hose valve, used with fire hose rack assembling or as Fire Department outlet connection with main feature as following:

- Forged brass body
- Forged brass shutter
- 1 1/2" female NPT inlet
- 1 1/2" female NPT outlet
- Aluminum red painted hand wheel
- Rated pressure 300 psi
- FM approved and UL-ULC listed

A55 2 1/2"

Angle hose valve, used with fire hose rack assembling or as Fire Department outlet connection with main feature as following:

- Forged brass body
- Forged brass shutter
- 2 1/2" female NPT inlet
- 2 1/2" female NPT outlet
- Aluminum red painted hand wheel
- Rated pressure 300 psi
- FM approved and UL-ULC listed



A56 1 1/2"

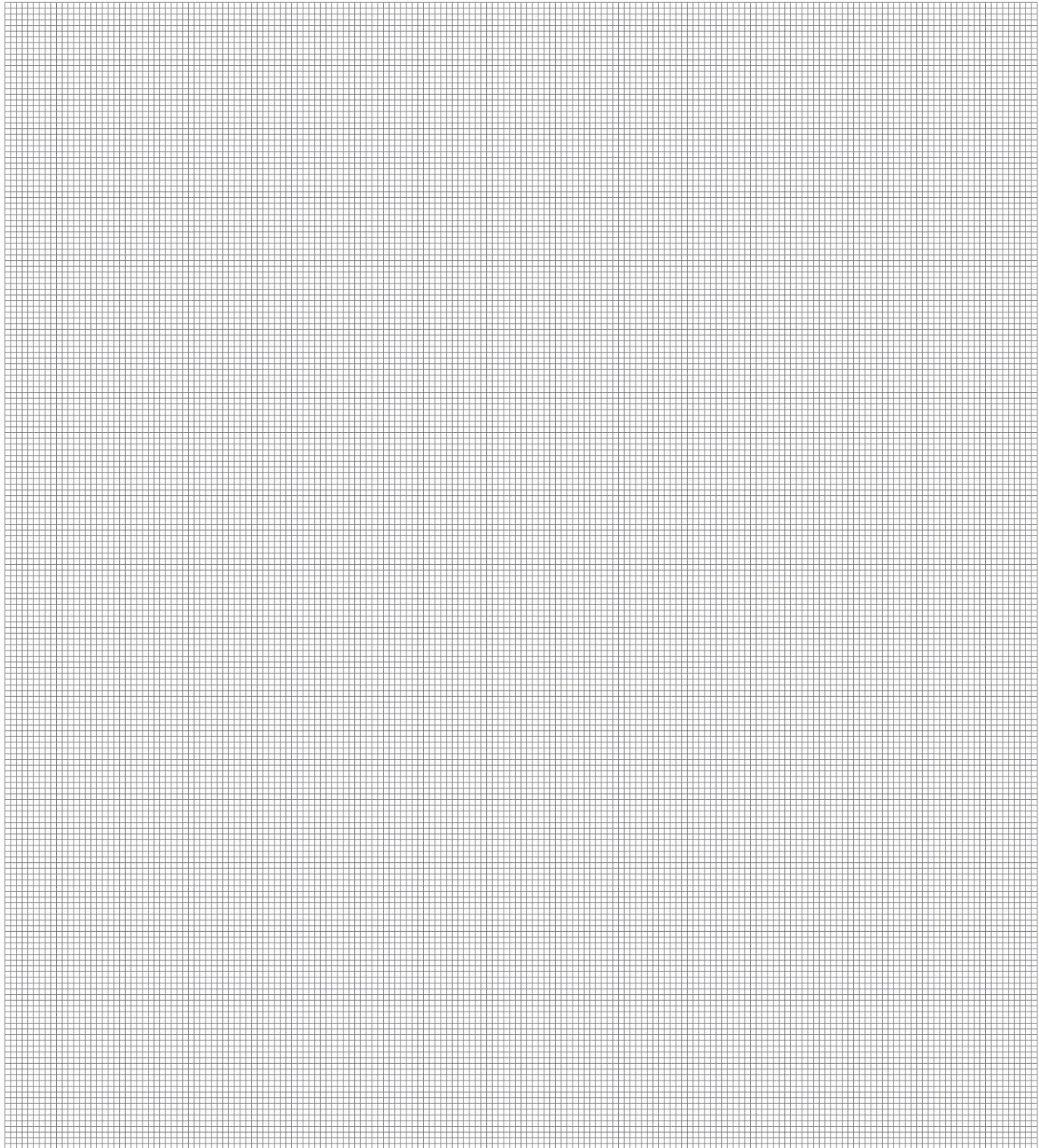
Angle hose valve, used with fire hose rack assembling or as Fire Department outlet connection with main feature as following:

- Forged brass body
- Forged brass shutter
- 1 1/2" female NPT inlet
- 1 1/2" male hose thread outlet
- Aluminum red painted hand wheel
- Rated pressure 300 psi
- FM approved and UL-ULC listed

A56 2 1/2"

Angle hose valve, used with fire hose rack assembling or as Fire Department outlet connection with main feature as following:

- Forged brass body
- Forged brass shutter
- 2 1/2" female NPT inlet
- 2 1/2" male hose thread outlet
- Aluminum red painted hand wheel
- Rated pressure 300 psi
- FM approved and UL-ULC listed



Additional information

For additional information please check the website www.giacomini.com or contact the technical service: ☎ +39 0322 923372 📠 +39 0322 923255 ✉ consulenza.prodotti@giacomini.com
This pamphlet is merely for information purposes. Giacomini S.p.A. retains the right to make modifications for technical or commercial reasons, without prior notice, to the items described in this pamphlet. The information described in this technical pamphlet does not exempt the user from following carefully the existing regulations and norms on good workmanship.
Giacomini S.p.A. Via per Alzo, 39 - 28017 San Maurizio d'Opaglio (NO) Italy