

R387L - R388L

047U54648 Febbraio 2016 - February 2016

ISTRUZIONI VALVOLE PER PIASTRE RADIANTI INSTRUCTION FOR STEEL PLATES VALVES

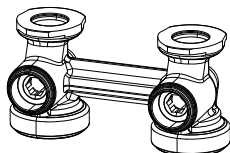
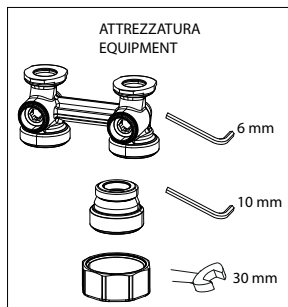
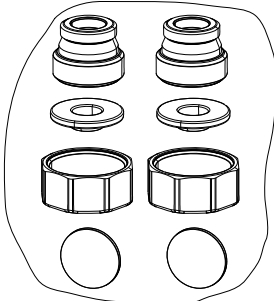
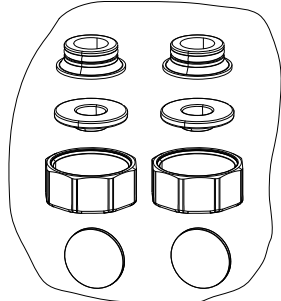


GIACOMINI
WATER E-MOTION

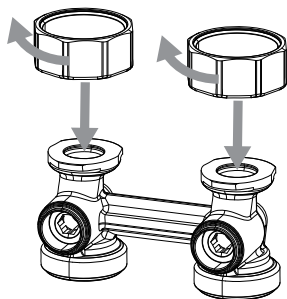


PER PIASTRE CON ATTACCHI 3/4"E
FOR PLATES WITH 3/4"E CONNECTIONS

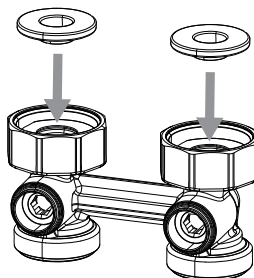
PER PIASTRE CON ATTACCHI 1/2"
FOR PLATES WITH 1/2" CONNECTIONS



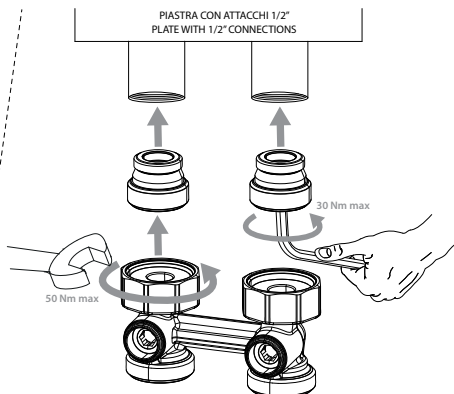
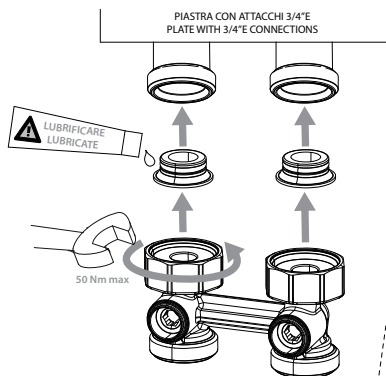
1



2



3



4

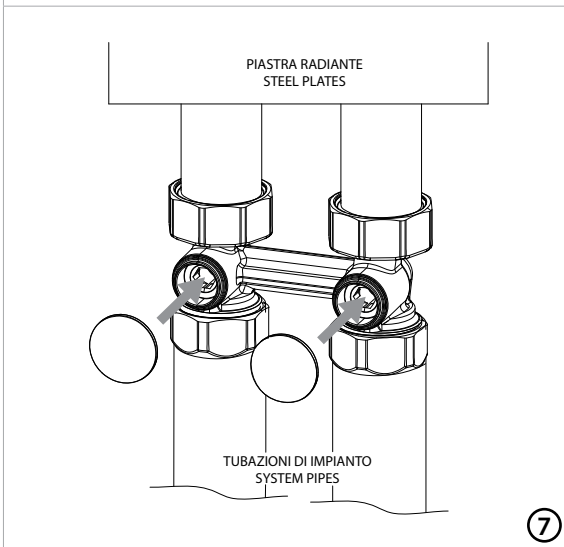
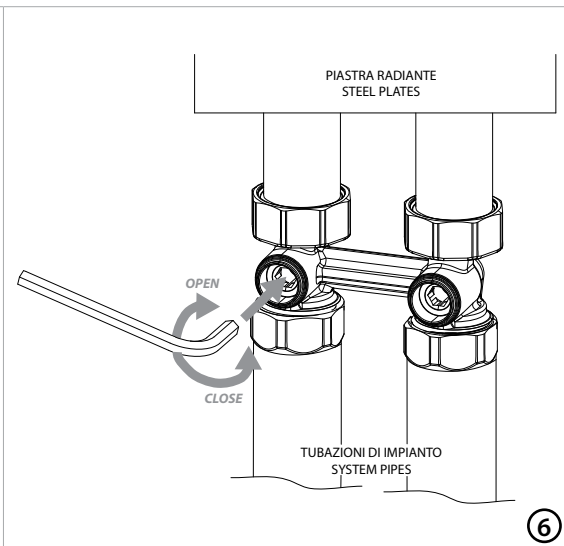
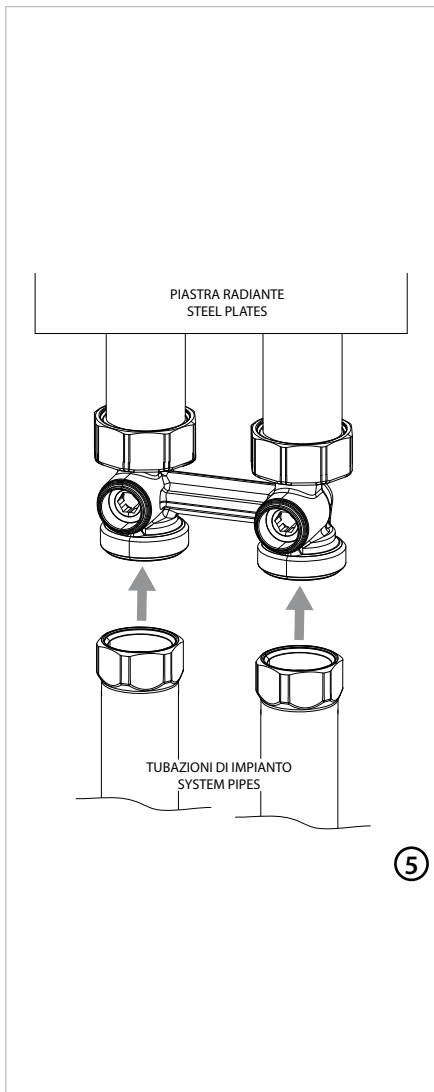
R387L - R388L

047U54648 Febbraio 2016 - February 2016

ISTRUZIONI VALVOLE PER PIASTRE RADIANTI
INSTRUCTION FOR STEEL PLATES VALVES



GIACOMINI
WATER E-MOTION



Additional information

For additional information please check the website www.giacomini.com or contact the technical service:

☎ +39 0322 923372 📠 +39 0322 923255 ✉ consulenza.prodotti@giacomini.com

This pamphlet is merely for information purposes. Giacomini S.p.A. retains the right to make modifications for technical or commercial reasons, without prior notice, to the items described in this pamphlet. The information described in this technical pamphlet does not exempt the user from following carefully the existing regulations and norms on good workmanship. Giacomini S.p.A. Via per Alzo, 39 - 28017 San Maurizio d'Opaglio (NO) Italy