



R783L

Description

Angle ball valve with female-female connections. For plumbing, gas and liquid hydrocarbon systems. Chrome-plated brass. Full port. Steel lever handle (yellow).

Versions and product code

Product code	Size	Use	Handle color
R783LX003	1/2"	Plumbing, gas and liquid hydrocarbons systems	Yellow
R783LX004	3/4"		
R783LX005	1"		

Technical data

Main features and materials

- Suitable for plumbing, gas and liquid hydrocarbon systems.
- Specific for gas and liquid hydrocarbon systems.
- Connections: F (Rp - EN 10226) x F (Rp - EN 10226).
- Full port.
- UNI EN 12165 CW617N chrome-plated brass valve.
- Stem with double O-ring.
- Nut with anti-corrosion coating, with guarantee seal and hologram.
- Steel lever handle (yellow), with pvc anti-corrosion coating.

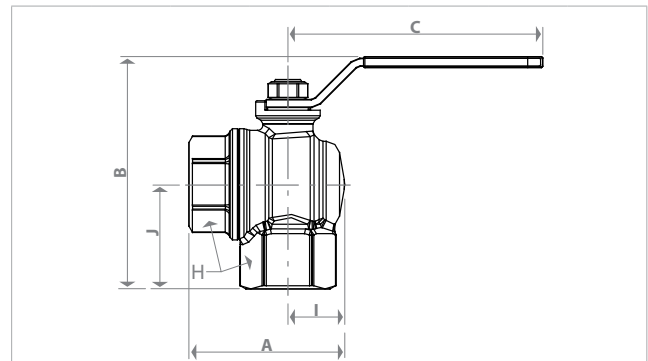
Field of applications

- Max. working pressure at 20 °C with water and not dangerous gas:
4,2 MPa (42 bar) for 1/2" - 3/4"
3,5 MPa (35 bar) for 1"
- Minimum working temperature: -20 °C with 50 % glycol solutions.
- Max. working pressure at 20 °C with liquid hydrocarbon: 1,2 MPa (12 bar)
- Max. operating pressure (MOP) with gas: 0,5 MPa (5 bar)
- Max. working conditions with dry saturated steam:
185 °C with 1,05 MPa (10,5 bar)

Valves Kv

Size	Kv
1/2"	4,8
3/4"	8,0
1"	21,3

Dimensions



Size	DN	A [mm]	I [mm]	B [mm]	J [mm]	C [mm]	H [mm]
1/2"	15	50	18	69	33	77	26
3/4"	20	58	21	86	39	94	32
1"	25	69	25	98	46	94	41

Product specifications

R783L

Angle ball valve with female-female connections. For plumbing, gas and liquid hydrocarbon systems. UNI EN 12165 CW617N chrome-plated brass. Full port. Steel lever handle (yellow), with pvc anti-corrosion coating. Stem with double O-ring. Nut with anti-corrosion coating, with guarantee seal and hologram. Max. working pressure at 20 °C with water and not dangerous gas: 4,2 MPa (42 bar) for 1/2" - 3/4"; 3,5 MPa (35 bar) for 1". Minimum working temperature: -20 °C with 50 % glycol solutions. Max. working pressure at 20 °C with liquid hydrocarbon: 1,2 MPa (12 bar). Max. operating pressure (MOP) with gas: 0,5 MPa (5 bar). Max. working conditions with dry saturated steam: 185 °C with 1,05 MPa (10,5 bar).

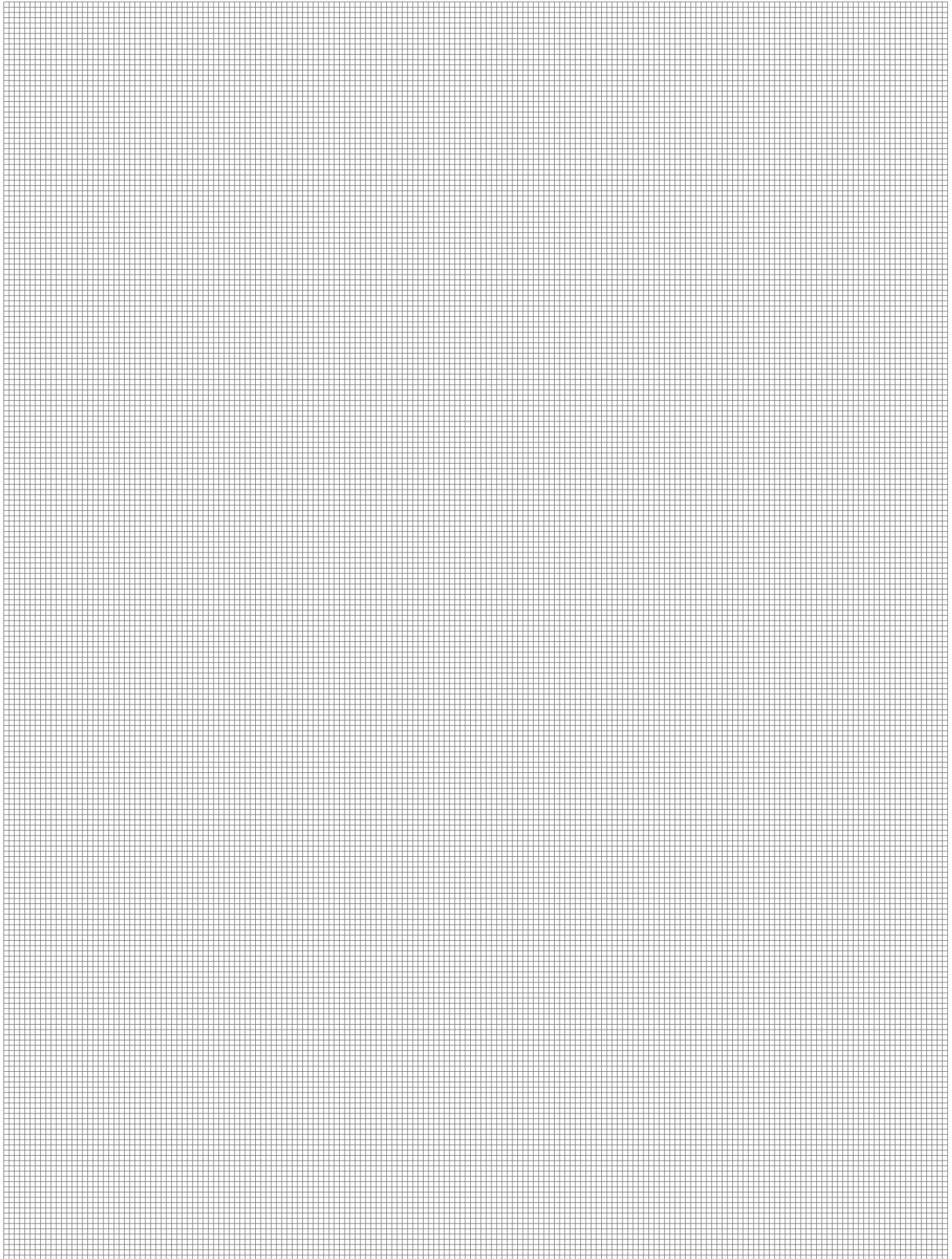
BALL VALVES

0655EN December 2013

FULL PORT BALL VALVE.
FOR PLUMBING, GAS AND LIQUID HYDROCARBON SYSTEMS.
R783L SERIES



GIACOMINI
WATER E-MOTION



Additional information

For additional information please check the website www.giacomini.com or contact the technical service: ☎ +39 0322 923372 📠 +39 0322 923255 ✉ consulenza.prodotti@giacomini.com
This pamphlet is merely for information purposes. Giacomini S.p.A. retains the right to make modifications for technical or commercial reasons, without prior notice, to the items described in this pamphlet. The information described in this technical pamphlet does not exempt the user from following carefully the existing regulations and norms on good workmanship.
Giacomini S.p.A. Via per Alzo, 39 - 28017 San Maurizio d'Opaglio (NO) Italy