



R783

Description

Angle ball valve with female-female connections. For plumbing, gas and liquid hydrocarbon systems. Chrome-plated brass. Full port. Aluminium T handle (yellow).

Versions and product code

| Product code | Size | Use | Handle color |
|--------------|------|---|--------------|
| R783X003 | 1/2" | Plumbing, gas and liquid hydrocarbons systems | Yellow |
| R783X004 | 3/4" | | |
| R783X005 | 1" | | |

Technical data

Main features and materials

- Suitable for plumbing, gas and liquid hydrocarbon systems.
- Specific for gas and liquid hydrocarbon systems.
- Connections: F (Rp - EN 10226) x F (Rp - EN 10226).
- Full port.
- UNI EN 12165 CW617N chrome-plated brass valve.
- Stem with double O-ring.
- Nut with anti-corrosion coating, with guarantee seal and hologram.
- Painted aluminium T handle (yellow).

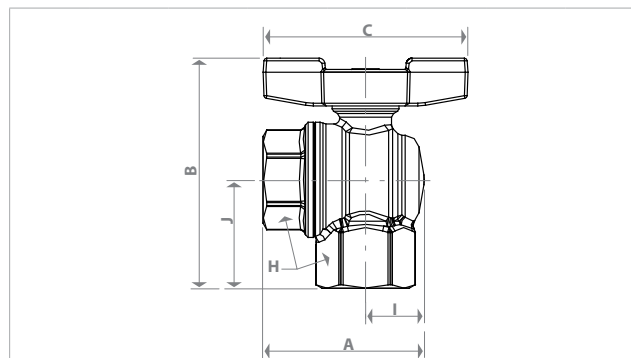
Field of applications

- Max. working pressure at 20 °C with water and not dangerous gas: 4,2 MPa (42 bar) for 1/2" - 3/4" 3,5 MPa (35 bar) for 1"
- Minimum working temperature: -20 °C with 50 % glycol solutions
- Max. working pressure at 20 °C with liquid hydrocarbon: 1,2 MPa (12 bar)
- Max. operating pressure (MOP) with gas: 0,5 MPa (5 bar)
- Max. working conditions with dry saturated steam: 185 °C with 1,05 MPa (10,5 bar)

Valves Kv

| Size | Kv |
|------|------|
| 1/2" | 4,8 |
| 3/4" | 8,0 |
| 1" | 21,3 |

Dimensions



| Size | DN | A [mm] | I [mm] | B [mm] | J [mm] | C [mm] | H [mm] |
|------|----|--------|--------|--------|--------|--------|--------|
| 1/2" | 15 | 50 | 18 | 71 | 33 | 63 | 26 |
| 3/4" | 20 | 58 | 21 | 82 | 39 | 73 | 32 |
| 1" | 25 | 69 | 25 | 94 | 46 | 73 | 41 |

Product specifications

R783

Angle ball valve with female-female connections. For plumbing, gas and liquid hydrocarbon systems. UNI EN 12165 CW617N chrome-plated brass. Full port. Painted aluminium T handle (yellow). Stem with double O-ring. Nut with anti-corrosion coating, with guarantee seal and hologram. Max. working pressure at 20 °C with water and not dangerous gas: 4,2 MPa (42 bar) for 1/2" - 3/4"; 3,5 MPa (35 bar) for 1". Minimum working temperature: -20 °C with 50 % glycol solutions. Max. working pressure at 20 °C with liquid hydrocarbon: 1,2 MPa (12 bar). Max. operating pressure (MOP) with gas: 0,5 MPa (5 bar). Max. working conditions with dry saturated steam: 185 °C with 1,05 MPa (10,5 bar).

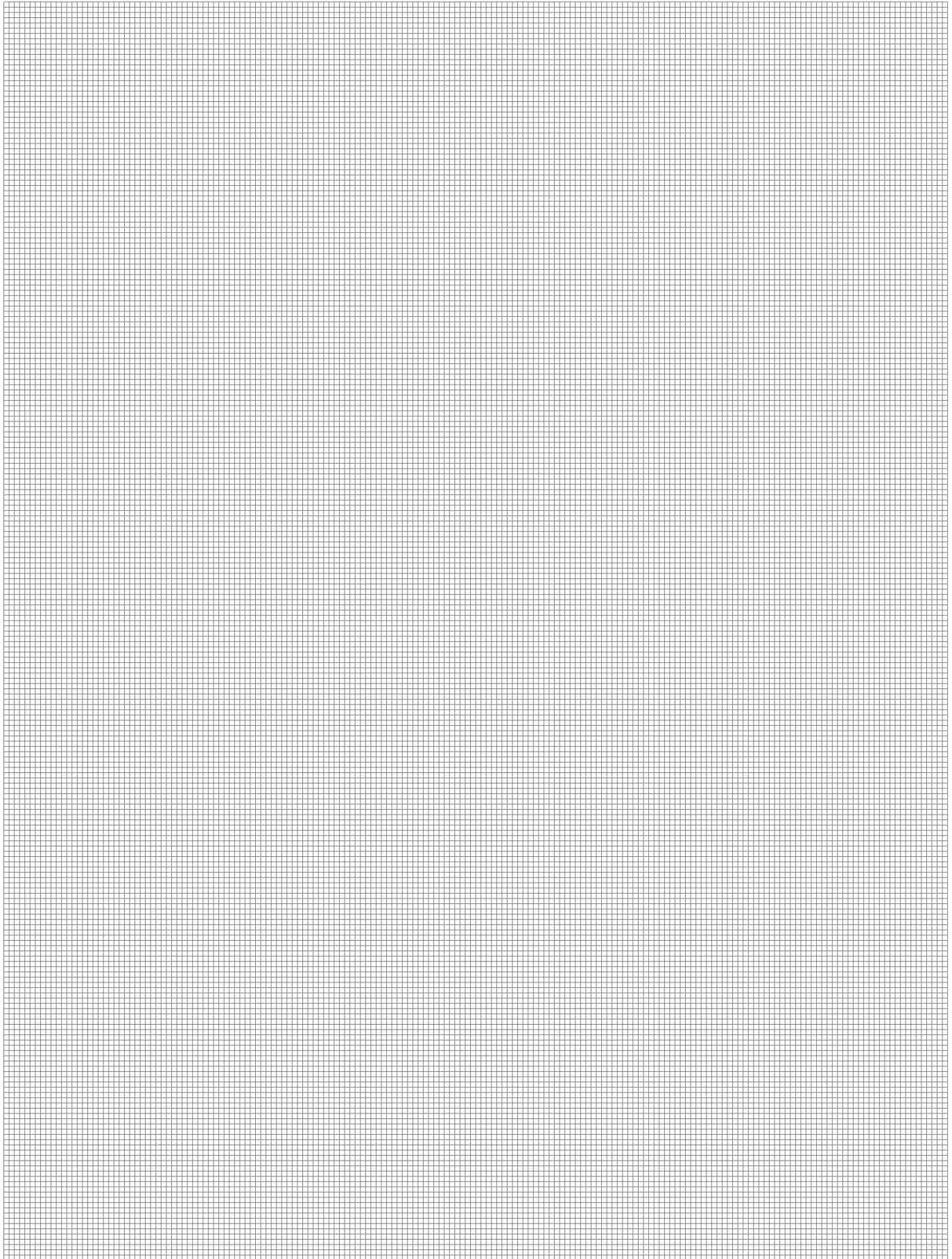
BALL VALVES

0654EN May 2016

FULL PORT BALL VALVE.
FOR PLUMBING, GAS AND LIQUID HYDROCARBON SYSTEMS.
R783 SERIES



GIACOMINI
WATER E-MOTION



Additional information

For additional information please check the website www.giacomini.com or contact the technical service: ☎ +39 0322 923372 📠 +39 0322 923255 ✉ consulenza.prodotti@giacomini.com
This pamphlet is merely for information purposes. Giacomini S.p.A. retains the right to make modifications for technical or commercial reasons, without prior notice, to the items described in this pamphlet. The information described in this technical pamphlet does not exempt the user from following carefully the existing regulations and norms on good workmanship.
Giacomini S.p.A. Via per Alzo, 39 - 28017 San Maurizio d'Opaglio (NO) Italy