



**Description**

Inserts with thermostatic option for steel panel radiators having integrated valve with threaded end in size 1/2". These inserts are used to shut off and adjust the flow of water to the heating panel. The "R46" inserts have a double controlling feature, integrating the thermostatic option with a pre-adjustable characteristic.

**Range of applicable thermostatic heads**

Inserts R46CF, R46CE, R46CI: thermostatic heads series R460 and R470.  
 Inserts R46HF, R46HE, R46HI: thermostatic heads with threaded end M30x1,5 series R460H, R468H and R470H.

**Versions and product codes**

| Product code | Size | Description   |
|--------------|------|---|
| R46CFY001    | 1/2" | Thermostatic insert for steel panel radiators with built-in valve having frontal sealing O-ring. Suitable for Giacomini thermostatic heads with Snap-On connection  |
| R46CEY001    |      | Thermostatic insert for steel panel radiators with built-in valve having external sealing O-ring. Suitable for Giacomini thermostatic heads with Snap-On connection |
| R46CIY001    |      | Thermostatic insert for steel panel radiators with built-in valve having internal sealing O-ring. Suitable for Giacomini thermostatic heads with Snap-On connection |
| R46HFY001    |      | Thermostatic insert for steel panel radiators with built-in valve having frontal sealing O-ring. Suitable for thermostatic heads with thread M30x1,5 mm             |
| R46HEY001    |      | Thermostatic insert for steel panel radiators with built-in valve having external sealing O-ring. Suitable for thermostatic heads with thread M30x1,5 mm            |
| R46HIY001    |      | Thermostatic insert for steel panel radiators with built-in valve having internal sealing O-ring. Suitable for thermostatic heads with thread M30x1,5 mm            |

**Technical data**

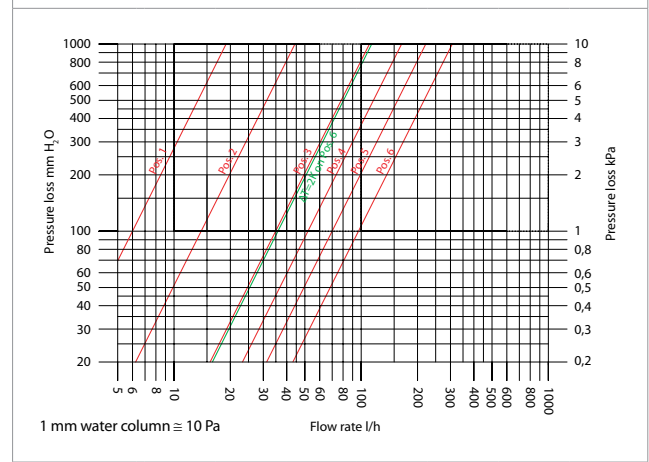
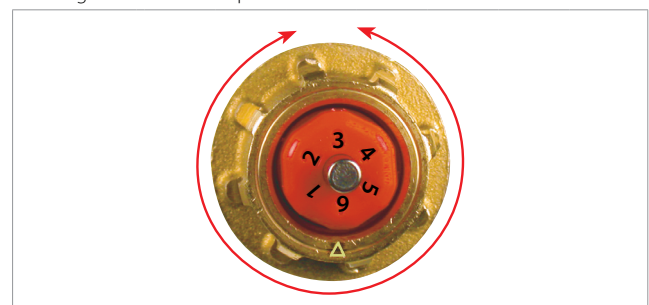
Temperature range: 5÷95 °C  
 Maximum working pressure: 10 bar  
 Fluid: water  
 Connection end: 1/2"G  
 Sealing O-Ring: frontal (R46CF and R46HF), external (R46CE and R46HE), internal (R46CI and R46HI)

**Materials**

Body: brass UNI EN 12615 CW617N  
 Spring: stainless steel  
 Bonnet: acetalyc Resin (POM)  
 Stem: stainless steel AISI 304  
 Shutter: EP851

**Hydraulic features**

Hydraulic features are in strict relation to the set pre-regulation position. There are 6 possible positions, identified by a numeric label. Position 1 corresponds to the smaller flow rate, position 6 to the maximum possible flow rate. The adjustment of the preregulation is obtained rotating the red gear to the desired position.



| Position | 1    | 2    | 3    | 4    | 5    | 6    | ΔT = 2K pos. 6 |
|----------|------|------|------|------|------|------|----------------|
| Kv       | 0,06 | 0,14 | 0,35 | 0,52 | 0,70 | 0,97 | 0,36           |

The condition ΔT=2 K pos.6 refers to the hydraulic conditions when a Giacomini thermostatic head is installed and the pre-regulation is set to the position No. 6 (maximum opening degree).

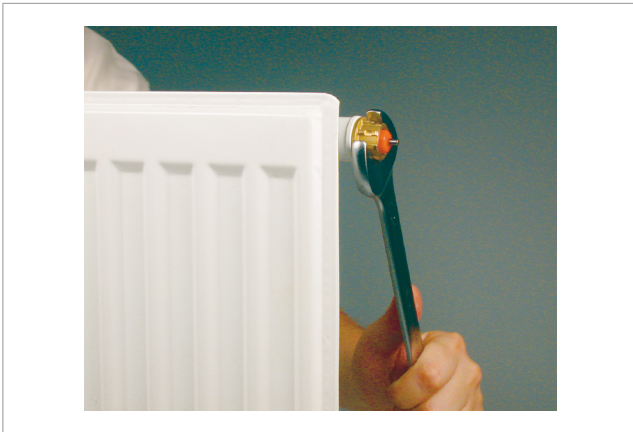


**Installation**

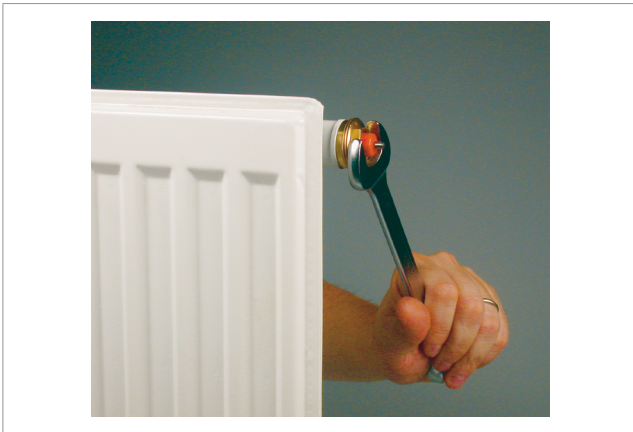
Giacomini thermostatic inserts of series R46 have to be installed following some simple precautions:

- The valve (built-in the radiator) has to be perfectly clean and without any impurity
- Remove the plastic protection cap
- Tighten the insert applying a proper torque (30 Nm)

To tighten the inserts R46HF, R46HE and R46HI we suggest to use a hexagonal key in size 19 mm.



To tighten the inserts R46CF, R46CE and R46CI we suggest to use a key in size 24 mm.



**Kit for plumbers and installers**

Giacomini offers not only the single insert, but also two complete kits including all the equipment necessary to install the thermostatic insert into a steel panel radiator:

**R46KAX001**

**Kit for steel panel radiators – Twin Pipe Systems – Pipes from the floor**

- No.1 insert R46CEY001
- No.1 thermostatic head R470X001
- No.1 H valve for steel panel radiators R388X001 3/4" x 18
- No. 2 Adaptors R483Y003 1/2MX3/4E
- No.1 air vent R90X003 1/2"
- No.2 plugs R92X003 1/2 NK



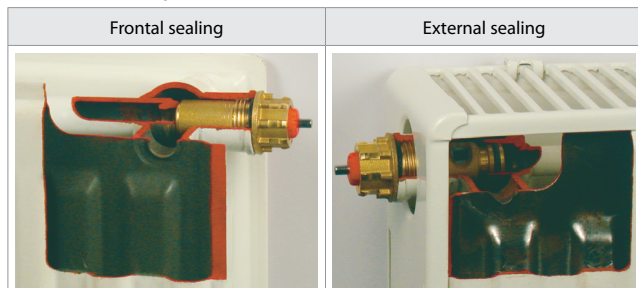
**R46KBX001**

**Kit for steel panel radiators – Twin Pipe Systems – Pipes from the wall**

- No.1 insert R46CEY001
- No.1 thermostatic head R470X001
- No.1 H valve for steel panel radiators R387X001 1/2" x 18
- No. 2 Adaptors R483Y003 1/2MX3/4E
- No.1 air vent R90X003 1/2"
- No.2 plugs R92X003 1/2 NK

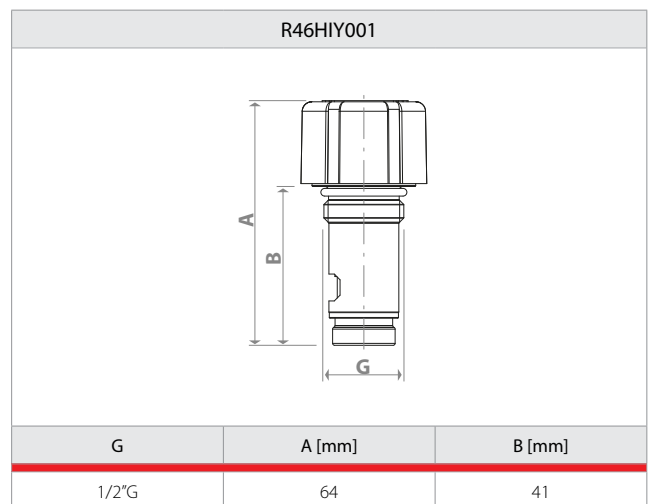
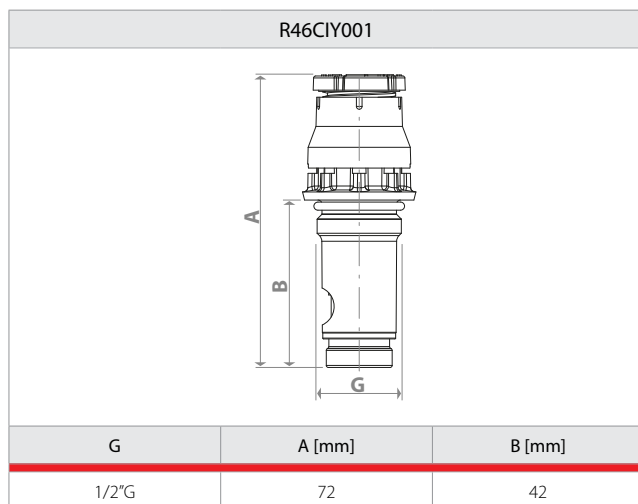
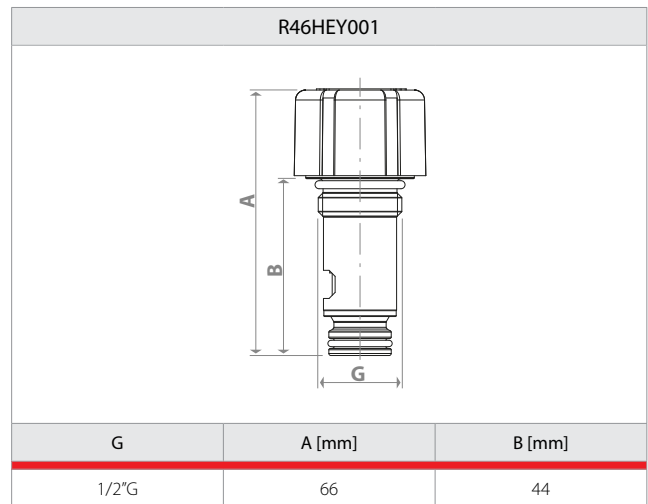
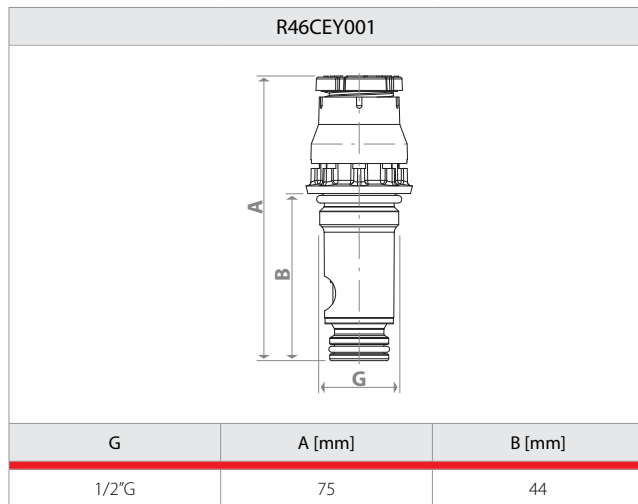
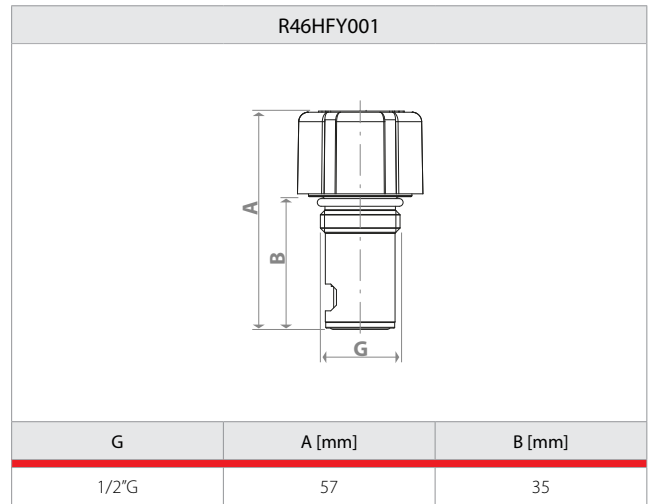
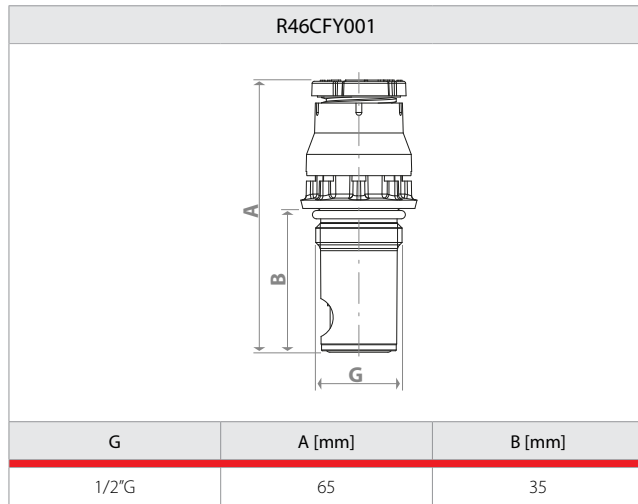


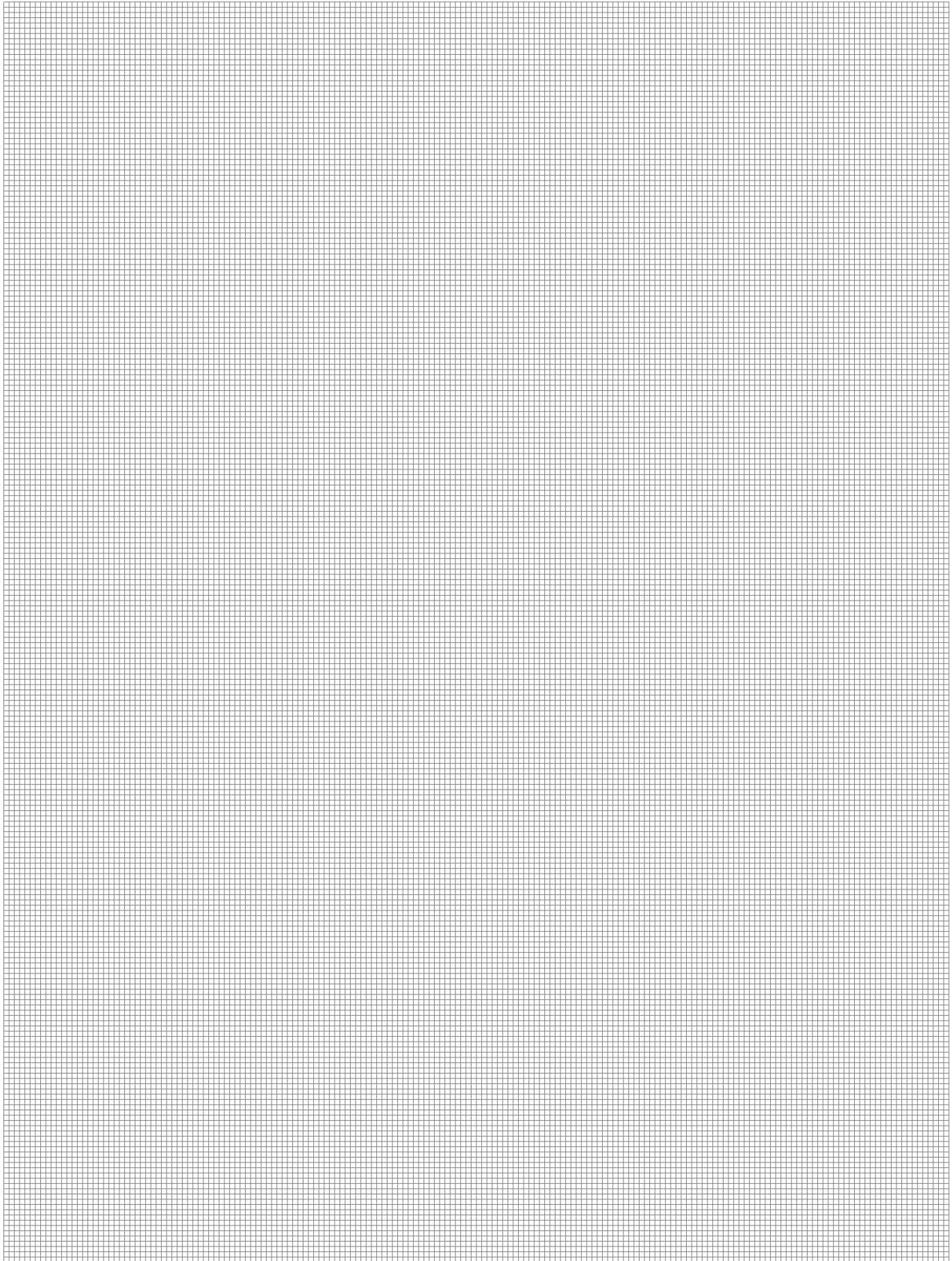
**Installation examples**





**Dimension**





**Additional information**

For additional information please check the website [www.giacomini.com](http://www.giacomini.com) or contact the technical service: ☎ +39 0322 923372 📠 +39 0322 923255 ✉ [consulenza.prodotti@giacomini.com](mailto:consulenza.prodotti@giacomini.com)  
This pamphlet is merely for information purposes. Giacomini S.p.A. retains the right to make modifications for technical or commercial reasons, without prior notice, to the items described in this pamphlet. The information described in this technical pamphlet does not exempt the user from following carefully the existing regulations and norms on good workmanship.  
Giacomini S.p.A. Via per Alzo, 39 - 28017 San Maurizio d'Opaglio (NO) Italy