

## BALL VALVES

0615EN December 2013

**FULL PORT BALL VALVE.  
FOR PLUMBING, GAS AND LIQUID HYDROCARBON SYSTEMS.  
R950 SERIES**



**GIACOMINI**  
WATER E-MOTION



**R950  
RED HANDLE**

### Description

DADO ball valve with female-female connections. Heavy series. For plumbing systems. Nickel-plated brass. Full port. Steel lever handle (red).

### Versions and product codes

Product code	Size	Use	Handle color
R950X021	1/4"	Plumbing systems	Red
R950X022	3/8"		
R950X023	1/2"		
R950X024	3/4"		
R950X025	1"		
R950X026	1 1/4"		
R950X027	1 1/2"		
R950X028	2"		

### Technical data

#### Main features and materials

- Suitable for plumbing systems.
- Connections: F x F (ISO 228).
- Full port.
- UNI EN 12165 CW617N nickel-plated brass valve.
- Stem with double O-ring.
- Nut with anti-corrosion coating, with guarantee seal and hologram.
- Steel lever handle (red), with pvc anti-corrosion coating.
- Heavy series.
- DADO ball valve.



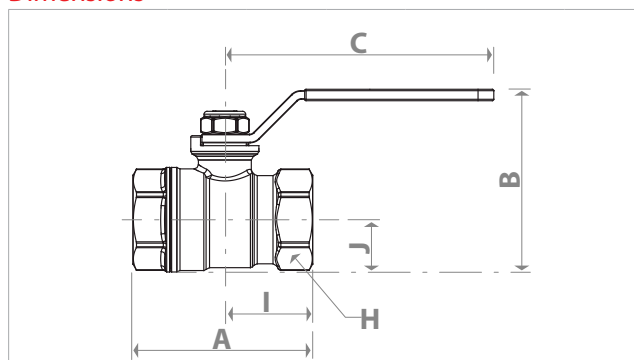
#### Field of applications

- Max. working pressure at 20 °C with water and not dangerous gas:  
4,2 MPa (42 bar) for 1/4" - 3/8" - 1/2" - 3/4"  
3,5 MPa (35 bar) for 1" - 1 1/4" - 1 1/2" - 2"
- Minimum working temperature: -20 °C with 50 % glycol solutions.
- Max. working conditions with dry saturated steam:  
185 °C with 1,05 MPa (10,5 bar)

### Valves Kv

Size	Kv	Size	Kv
1/4"	6,9	1"	50,9
3/8"	7,0	1 1/4"	103
1/2"	13,3	1 1/2"	147
3/4"	25,8	2"	222

### Dimensions



Size	DN	A [mm]	I [mm]	B [mm]	J [mm]	C [mm]	H [mm]
1/4"	8	43	21	36	10	43	17
3/8"	10	49	25	47	13	77	21
1/2"	15	60	30	53	16	77	26
3/4"	20	68	34	69	21	95	32
1"	25	81	41	77	25	95	41
1 1/4"	32	95	48	87	30	95	50
1 1/2"	40	104	52	107	36	137	55
2"	50	126	63	122	44	137	70

### Product specifications

#### R950 - Red handle

DADO ball valve with female-female connections. Heavy series. For plumbing systems. UNI EN 12165 CW617N nickel-plated brass. Full port. Steel lever handle (red), with pvc anti-corrosion coating. Stem with double O-ring. Nut with anti-corrosion coating, with guarantee seal and hologram. Max. working pressure at 20 °C with water and not dangerous gas: 4,2 MPa (42 bar) for 1/4" - 3/8" - 1/2" - 3/4"; 3,5 MPa (35 bar) for 1" - 1 1/4" - 1 1/2" - 2". Minimum working temperature: -20 °C with 50 % glycol solutions. Max. working conditions with dry saturated steam: 185 °C with 1,05 MPa (10,5 bar).

## BALL VALVES

0615EN December 2013

**FULL PORT BALL VALVE.  
FOR PLUMBING, GAS AND LIQUID HYDROCARBON SYSTEMS.  
R950 SERIES**



**GIACOMINI**  
WATER E-MOTION



**R950  
YELLOW HANDLE**

### Description

DADO ball valve with female-female connections. Heavy series. For gas and liquid hydrocarbon systems. Nickel-plated brass. Full port. Steel lever handle (yellow).

### Versions and product codes

Product code	Size	Use	Handle color
R950X001	1/4"	Gas and liquid hydrocarbons systems	Yellow
R950X002	3/8"		
R950X003	1/2"		
R950X004	3/4"		
R950X005	1"		
R950X006	1 1/4"		
R950X007	1 1/2"		
R950X008	2"		

### Technical data

#### Main features and materials

- Suitable for plumbing, gas and liquid hydrocarbon systems.
- Connections: F x F (Rp - EN 10226).
- Full port.
- UNI EN 12165 CW617N nickel-plated brass valve.
- Stem with double O-ring.
- Nut with anti-corrosion coating, with guarantee seal and hologram.
- Steel lever handle (yellow), with pvc anti-corrosion coating.
- Heavy series.
- DADO ball valve.



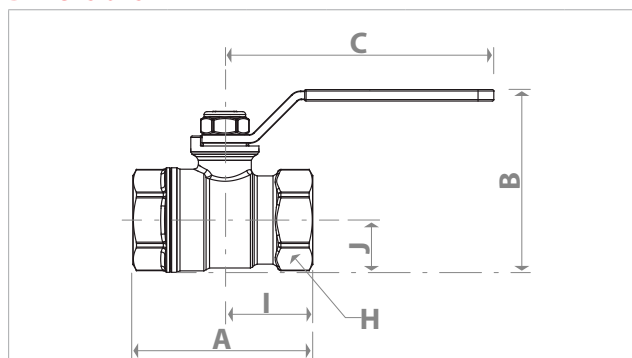
#### Field of applications

- Max. working pressure at 20 °C with liquid hydrocarbon: 1,2 MPa (12 bar)
- Max. operating pressure (MOP) with gas: 0,5 MPa (5 bar)
- Temperature range: -20÷60 °C

### Valves Kv

Size	Kv	Size	Kv
1/4"	6,9	1"	50,9
3/8"	7,0	1 1/4"	103
1/2"	13,3	1 1/2"	147
3/4"	25,8	2"	222

### Dimensions



Size	DN	A [mm]	I [mm]	B [mm]	J [mm]	C [mm]	H [mm]
1/4"	8	43	21	36	10	43	17
3/8"	10	49	25	47	13	77	21
1/2"	15	60	30	53	16	77	26
3/4"	20	68	34	69	21	95	32
1"	25	81	41	77	25	95	41
1 1/4"	32	95	48	87	30	95	50
1 1/2"	40	104	52	107	36	137	55
2"	50	126	63	122	44	137	70

### Product specifications

#### R950 - Yellow handle

DADO ball valve with female-female connections. Heavy series. For gas and liquid hydrocarbon systems. UNI EN 12165 CW617N nickel-plated brass. Full port. Steel lever handle (yellow), with pvc anti-corrosion coating. Stem with double O-ring. Nut with anti-corrosion coating, with guarantee seal and hologram. Max. working pressure at 20 °C with liquid hydrocarbon: 1,2 MPa (12 bar). Max. operating pressure (MOP) with gas: 0,5 MPa (5 bar). Temperature range: -20÷60 °C.

### Additional information

For additional information please check the website [www.giacomini.com](http://www.giacomini.com) or contact the technical service: ☎ +39 0322 923372 📠 +39 0322 923255 ✉ [consulenza.prodotti@giacomini.com](mailto:consulenza.prodotti@giacomini.com)  
This pamphlet is merely for information purposes. Giacomini S.p.A. retains the right to make modifications for technical or commercial reasons, without prior notice, to the items described in this pamphlet. The information described in this technical pamphlet does not exempt the user from following carefully the existing regulations and norms on good workmanship.  
Giacomini S.p.A. Via per Alzo, 39 - 28017 San Maurizio d'Opaglio (NO) Italy