

BALL VALVES

0619EN December 2013

**FULL PORT BALL VALVE.
FOR PLUMBING, GAS AND LIQUID HYDROCARBON SYSTEMS.
R910 SERIES**



GIACOMINI
WATER E-MOTION



R910

Description

DADO ball valve with female-female connections. For plumbing, gas and liquid hydrocarbon systems. Nickel-plated brass. Full port. Steel lever handle (red or yellow).

Versions and product codes

Product code	Size	Use	Handle color
R910X022	3/8"	Plumbing systems	Red
R910X023	1/2"		
R910X024	3/4"		
R910X025	1"		
R910X026	1 1/4"		
R910X027	1 1/2"		
R910X028	2"		
R910X029	2 1/2"		
R910X030	3"		
R910X031	4"		
R910X002	3/8"	Gas and liquid hydrocarbons systems	Yellow
R910X003	1/2"		
R910X004	3/4"		
R910X005	1"		
R910X006	1 1/4"		
R910X007	1 1/2"		
R910X008	2"		
R910X009	2 1/2"		
R910X010	3"		
R910X011	4"		

Technical data

Main features and materials

- Suitable for plumbing, gas and liquid hydrocarbon systems.
- Connections: F x F (ISO 228).
- Full port.
- UNI EN 12165 CW617N nickel-plated brass valve.
- Stem with double O-ring.
- Nut with anti-corrosion coating, with guarantee seal and hologram.
- Steel lever handle (red for water use; yellow for gas use), with pvc anti-corrosion coating.
- DADO ball valve.



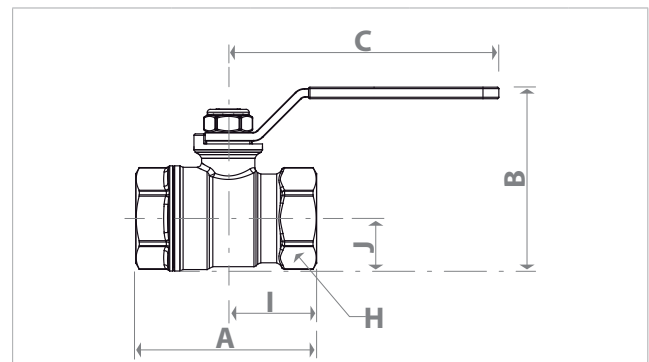
Field of applications

- Max. working pressure at 20 °C with water and not dangerous gas:
4,2 MPa (42 bar) for 3/8" - 1/2" - 3/4"
3,5 MPa (35 bar) for 1" - 1 1/4" - 1 1/2" - 2"
2,8 MPa (28 bar) for 2 1/2" - 3" - 4"
- Minimum working temperature: -20 °C with 50 % glycol solutions
- Max. working pressure at 20 °C with liquid hydrocarbon: 1,2 MPa (12 bar)
- Max. operating pressure (MOP) with gas: 0,5 MPa (5 bar)
- Max. working conditions with dry saturated steam:
185 °C with 1,05 MPa (10,5 bar)

Valves Kv

Size	Kv	Size	Kv
3/8"	7,0	1 1/2"	147
1/2"	13,3	2"	222
3/4"	25,8	2 1/2"	336
1"	50,9	3"	377
1 1/4"	103	4"	645

Dimensions



Size	DN	A [mm]	I [mm]	B [mm]	J [mm]	C [mm]	H [mm]
3/8"	10	50	25	47	13	77	21
1/2"	15	57	28	53	16	77	25
3/4"	20	62	31	70	21	95	32
1"	25	76	38	78	25	95	39
1 1/4"	32	86	43	88	30	95	47
1 1/2"	40	97	48	109	37	137	54
2"	50	111	55	125	46	137	67
2 1/2"	65	153	76	170	58	187	82
3"	80	173	87	189	68	187	96
4"	100	217	108	242	88	257	126

Product specifications

R910

DADO ball valve with female-female connections. For plumbing, gas and liquid hydrocarbon systems. UNI EN 12165 CW617N nickel-plated brass. Full port. Steel lever handle (red for water use; yellow for gas use), with pvc anti-corrosion coating. Stem with double O-ring. Nut with anti-corrosion coating, with guarantee seal and hologram. Max. working pressure at 20 °C with water and not dangerous gas: 4,2 MPa (42 bar) for 3/8" - 1/2" - 3/4"; 3,5 MPa (35 bar) for 1" - 1 1/4" - 1 1/2" - 2"; 2,8 MPa (28 bar) for 2 1/2" - 3" - 4". Minimum working temperature: -20 °C with 50 % glycol solutions. Max. working pressure at 20 °C with liquid hydrocarbon: 1,2 MPa (12 bar). Max. operating pressure (MOP) with gas: 0,5 MPa (5 bar). Max. working conditions with dry saturated steam: 185 °C with 1,05 MPa (10,5 bar).

BALL VALVES

0619EN December 2013

FULL PORT BALL VALVE.
FOR PLUMBING, GAS AND LIQUID HYDROCARBON SYSTEMS.
R910 SERIES



GIACOMINI
WATER E-MOTION



Additional information

For additional information please check the website www.giacomini.com or contact the technical service: ☎ +39 0322 923372 📠 +39 0322 923255 ✉ consulenza.prodotti@giacomini.com
This pamphlet is merely for information purposes. Giacomini S.p.A. retains the right to make modifications for technical or commercial reasons, without prior notice, to the items described in this pamphlet. The information described in this technical pamphlet does not exempt the user from following carefully the existing regulations and norms on good workmanship.
Giacomini S.p.A. Via per Alzo, 39 - 28017 San Maurizio d'Opaglio (NO) Italy