

BALL VALVES

0640EN December 2013

FULL PORT BALL VALVE. FOR PIPES WITH HIGH INSULATION THICKNESS. FOR PLUMBING SYSTEMS, SPECIFIC FOR SANITARY WATER USE. SERIE R854VT



GIACOMINI
WATER E-MOTION



R854VT

Description

Ball valve with threat female connection and press-fittings connection, with double o-ring (black) on the press fittings, complies with EN 681-1 standards. Specific for pipes with high insulation thickness. For plumbing systems, specific for sanitary water use. Brass finish valve. Full port. Plastic extended T handle.

Versions and product codes

Product code	Size	Use	Handle color
R854VY102	Ø 18 x 1/2"F	Plumbing systems Specific for sanitary water use	Black. Red, blue or green plate
R854VY103	Ø 15 x 1/2"F		
R854VY104	Ø 22 x 3/4"F		
R854VY105	Ø 28 x 1"F		
R854VY106	Ø 35 x 1 1/4"F		

Technical data

Main features and materials

- Suitable for plumbing systems, specific for sanitary water use.
- Connections: F (Rp - EN 10226) x press-fitting for copper or malleable steel pipes.
- Pressable with "V", "SA" or "M" profile tongs.
- Double o-ring (black) on the press fittings, complies with EN 681-1 standards.
- Full port.
- UNI EN 12165 CW617N brass finish valve.
- Stem with double O-ring.
- Nut with anti-corrosion coating.
- Plastic extended T handle (black handle; red, blue or green plate).

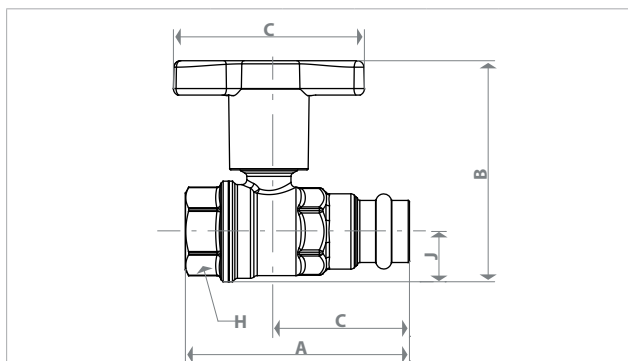
Field of application

- Max. working pressure at 20 °C with water and not dangerous gas:
3,5 MPa (35 bar) for Ø 15 a Ø 22
2,8 MPa (28 bar) for Ø 28 a Ø 35
- Temperature range: -20÷110 °C (-20 °C with 50 % glycol solutions), possibility of 120 °C for short periods of time

Valves Kv

Size	Kv
Ø 18 x 1/2"F	12,7
Ø 15 x 1/2"F	12,7
Ø 22 x 3/4"F	24,6
Ø 28 x 1"F	48,5
Ø 35 x 1 1/4"F	98,0

Dimensions



Size	DN	A [mm]	I [mm]	B [mm]	J [mm]	C [mm]	H [mm]
Ø 18 x 1/2"F	15	80	50	81	17	78	26
Ø 15 x 1/2"F	15	80	50	81	17	78	26
Ø 22 x 3/4"F	20	92	58	90	21	78	32
Ø 28 x 1"F	25	102	61	99	25	78	41
Ø 35 x 1 1/4"F	32	112	65	108	30	78	50

Product specifications

R854VT

Ball valve with threat female connection and press-fittings connection. Double o-ring (black) on the press fittings, complies with EN 681-1 standards. For plumbing systems, specific for sanitary water use. UNI EN 12165 CW617N brass finish valve. Full port. Plastic extended T handle. For pipes with high insulation thickness. Stem with double O-ring. Nut with anti-corrosion coating. Pressable with profile "V", "SA" and "M" tongs. Max. working pressure at 20 °C with water and not dangerous gas: 3,5 MPa (35 bar) for Ø 15 a Ø 22; 2,8 MPa (28 bar) for Ø 28 a Ø 35. Temperature range: -20÷110 °C (-20 °C with 50 % glycol solutions), possibility of 120 °C for short periods of time.

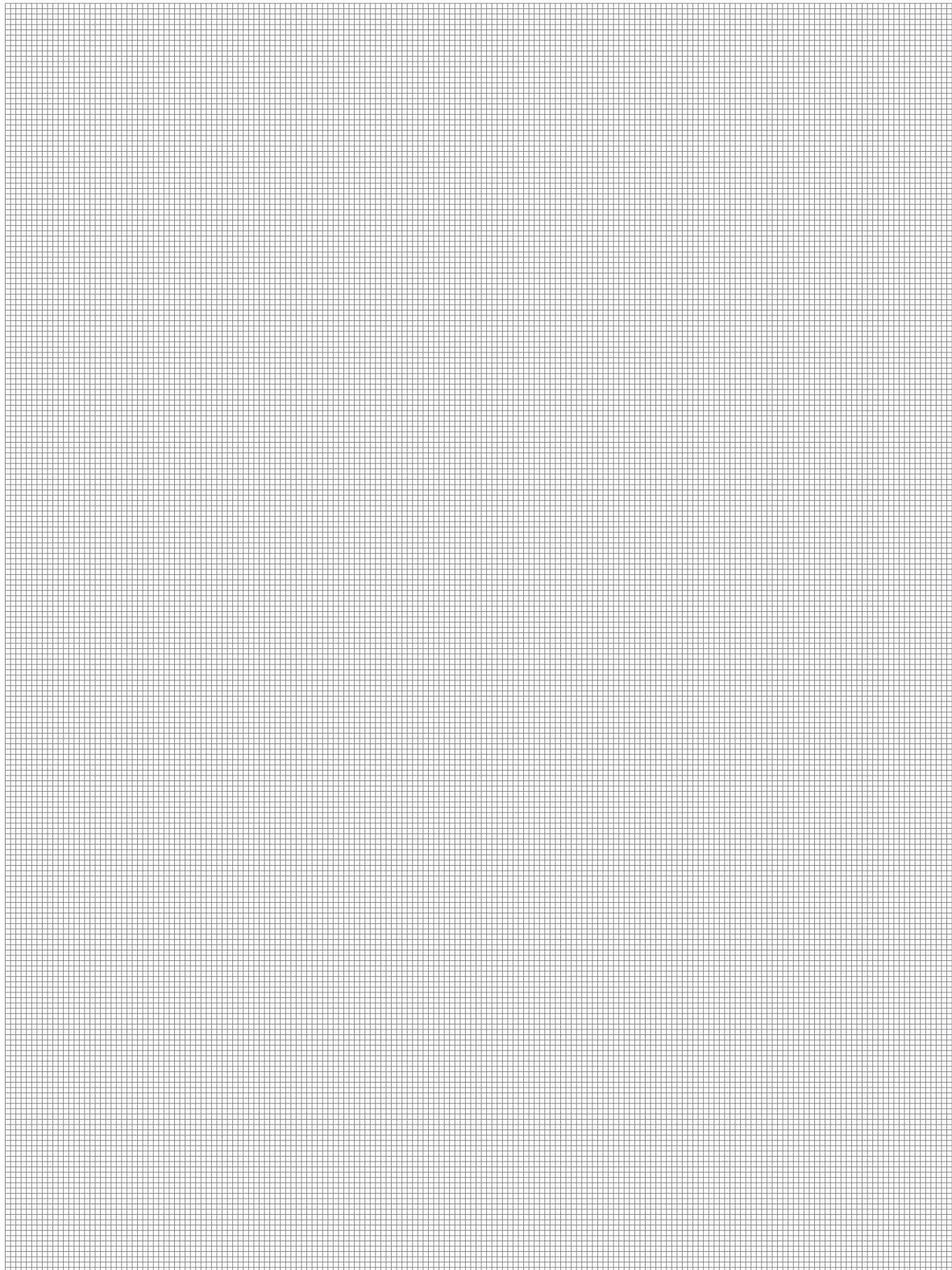
BALL VALVES

0640EN December 2013

FULL PORT BALL VALVE. FOR PIPES WITH HIGH INSULATION THICKNESS. FOR PLUMBING SYSTEMS, SPECIFIC FOR SANITARY WATER USE. **SERIE R854VT**



GIACOMINI
WATER E-MOTION



Additional information

For additional information please check the website www.giacomini.com or contact the technical service: ☎ +39 0322 923372 📠 +39 0322 923255 ✉ consulenza.prodotti@giacomini.com
This pamphlet is merely for information purposes. Giacomini S.p.A. retains the right to make modifications for technical or commercial reasons, without prior notice, to the items described in this pamphlet. The information described in this technical pamphlet does not exempt the user from following carefully the existing regulations and norms on good workmanship.
Giacomini S.p.A. Via per Alzo, 39 - 28017 San Maurizio d'Opaglio (NO) Italy