

BALL VALVES

0637EN December 2013

FULL PORT BALL VALVE. FOR PIPES WITH HIGH INSULATION THICKNESS. FOR PLUMBING SYSTEMS, SPECIFIC FOR SANITARY WATER USE. R853VT SERIES



GIACOMINI
WATER E-MOTION



R853VT

Description

Ball valve with threst male connection and press-fittings connection, with double o-ring (black) on the press fittings, complies with EN 681-1 standards. Specific for pipes with high insulation thickness. For plumbing systems, specific for sanitary water use. Brass finish valve. Full port. Plastic extended T handle.

Versions and product codes

| Product code | Size | Use | Handle color |
|--------------|----------------|--|---------------------------------------|
| R853VY102 | Ø 18 x 1/2"M | Plumbing systems Specific for sanitary water use | Black. Red, blue or green plate |
| R853VY103 | Ø 15 x 1/2"M | | |
| R853VY104 | Ø 22 x 3/4"M | | |
| R853VY105 | Ø 28 x 1"M | | |
| R853VY106 | Ø 35 x 1 1/4"M | | |

Technical data

Main features and materials

- Suitable for plumbing systems, specific for sanitary water use.
- Connections: M (ISO 228) x press-fitting for copper or malleable steel pipes.
- Pressable with "V", "SA" or "M" profile tongs.
- Double o-ring (black) on the press fittings, complies with EN 681-1 standards.
- Full port.
- UNI EN 12165 CW617N brass finish valve.
- Stem with double O-ring.
- Nut with anti-corrosion coating.
- Plastic extended T handle (black handle; red, blue or green plate).

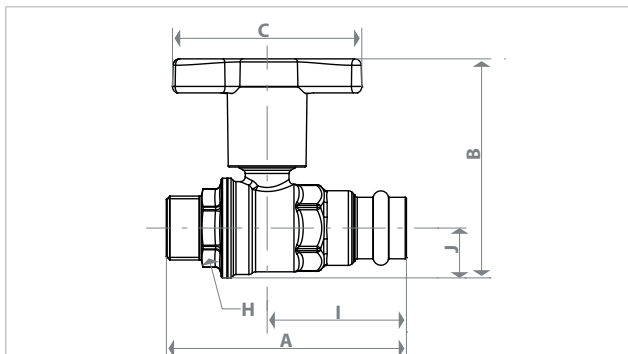
Field of application

- Max. working pressure at 20 °C with water and not dangerous gas:
3,5 MPa (35 bar) for Ø 15 a Ø 22
2,8 MPa (28 bar) for Ø 28 a Ø 35
- Temperature range: -20÷110 °C (-20 °C with 50 % glycol solutions), possibility of 120 °C for short periods of time

Valves Kv

| Size | Kv |
|----------------|------|
| Ø 18 x 1/2"M | 12,7 |
| Ø 15 x 1/2"M | 12,7 |
| Ø 22 x 3/4"M | 24,6 |
| Ø 28 x 1"M | 48,5 |
| Ø 35 x 1 1/4"M | 98,0 |

Dimensions



| Size | DN | A [mm] | I [mm] | B [mm] | J [mm] | C [mm] | H [mm] |
|----------------|----|--------|--------|--------|--------|--------|--------|
| Ø 18 x 1/2"M | 15 | 86 | 50 | 81 | 17 | 78 | 22 |
| Ø 15 x 1/2"M | 15 | 86 | 50 | 81 | 17 | 78 | 22 |
| Ø 22 x 3/4"M | 20 | 99 | 58 | 90 | 21 | 78 | 29 |
| Ø 28 x 1"M | 25 | 107 | 61 | 99 | 25 | 78 | 36 |
| Ø 35 x 1 1/4"M | 32 | 120 | 65 | 109 | 30 | 78 | 44 |

Product specifications

R853VT

Ball valve with threst male connection and press-fittings connection. Double o-ring (black) on the press fittings, complies with EN 681-1 standards. For plumbing systems, specific for sanitary water use. UNI EN 12165 CW617N brass finish valve. Full port. Plastic extended T handle. For pipes with high insulation thickness. Stem with double O-ring. Nut with anti-corrosion coating. Pressable with profile "V", "SA" and "M" tongs. Max. working pressure at 20 °C with water and not dangerous gas: 3,5 MPa (35 bar) for Ø 15 a Ø 22; 2,8 MPa (28 bar) for Ø 28 a Ø 35. Temperature range: -20÷110 °C (-20 °C with 50 % glycol solutions), possibility of 120 °C for short periods of time.

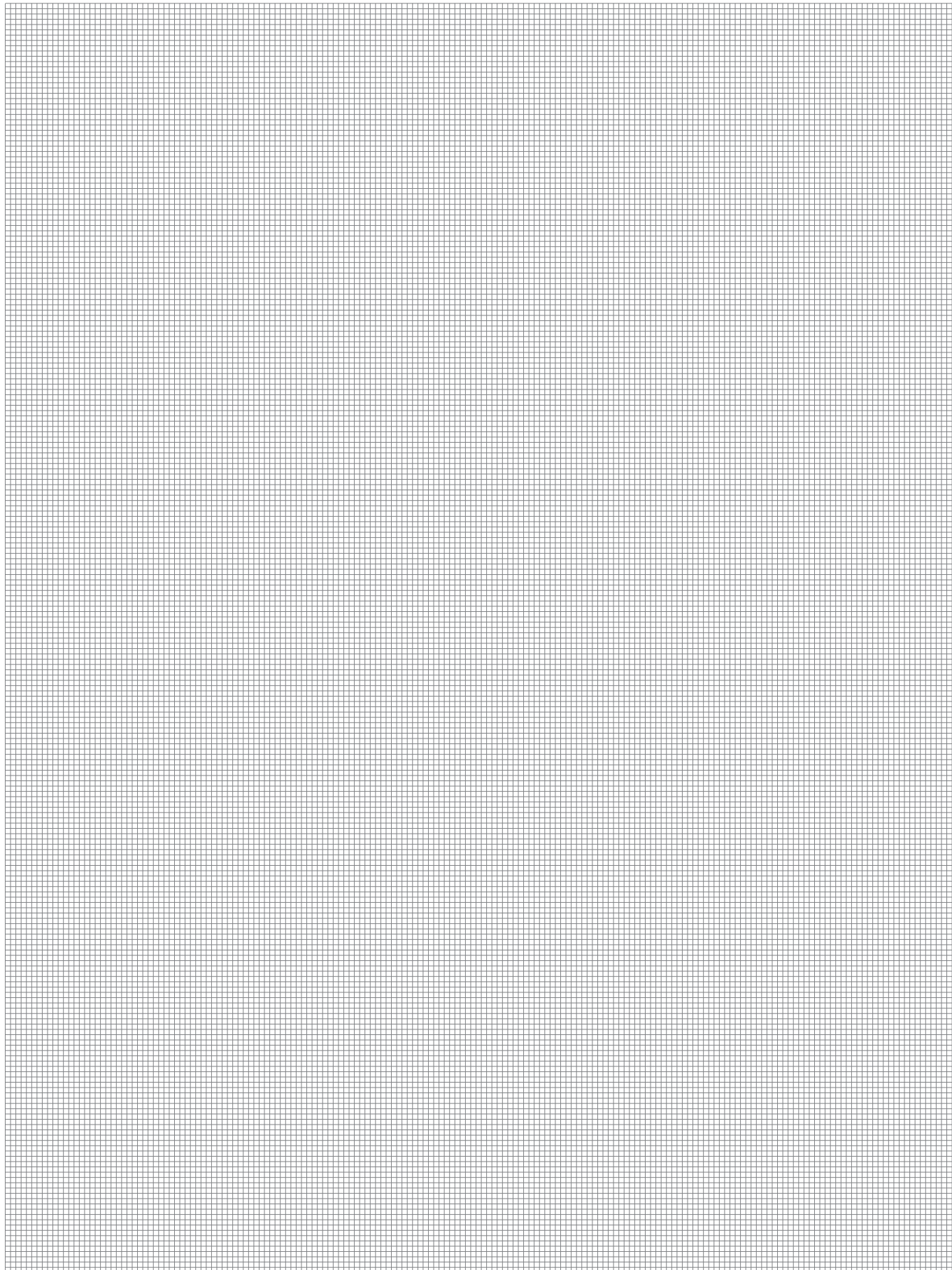
BALL VALVES

0637EN December 2013

FULL PORT BALL VALVE. FOR PIPES WITH HIGH INSULATION THICKNESS. FOR PLUMBING SYSTEMS, SPECIFIC FOR SANITARY WATER USE. R853VT SERIES



GIACOMINI
WATER E-MOTION



Additional information

For additional information please check the website www.giacomini.com or contact the technical service: ☎ +39 0322 923372 📠 +39 0322 923255 ✉ consulenza.prodotti@giacomini.com
This pamphlet is merely for information purposes. Giacomini S.p.A. retains the right to make modifications for technical or commercial reasons, without prior notice, to the items described in this pamphlet. The information described in this technical pamphlet does not exempt the user from following carefully the existing regulations and norms on good workmanship.
Giacomini S.p.A. Via per Alzo, 39 - 28017 San Maurizio d'Opaglio (NO) Italy