



R580C

R585C

Description

Giacomini has introduced the R585C (with shut-off valve) and R580C (no shut-off valve) series of modular manifolds, in response to the growing demand for products for the distribution of sanitary water which offer ease of installation, operational reliability and more generally, excellent attention to detail, contributing to an increased level of quality perceived by the users.

Versions and product codes

Series	Product code	Size	Adaptor seat Ø [mm]	No. of outputs
R580C	R580CY032	3/4"MF x 1/2" (ISO 228)	15	2
	R580CY033			3
	R580CY034			4
	R580CY062			2
	R580CY063	16	3	
	R580CY064		4	
	R580CY052		1"MF x 3/4"E (ISO 228)	2
	R580CY053			3
R580CY054	4			
R585C	R585CY032	3/4"MF x 1/2" (ISO 228)		15
R585CY033	3			
R585CY034	4			
R585CY062	16		2	
R585CY063		3		
R585CY064		4		

Completion codes

Adaptors for 3/4"MF x 1/2" manifolds (adaptor seat Ø 16 mm)

- R179EY055: 1/2" x (16 x 2)
- R179EY056: 1/2" x (16 x 2,2)
- R179EY058: 1/2" x (16,2 x 2,6)
- RM179Y113: 1/2" x (16 x 2)

Adaptors for 3/4"MF x 1/2" manifolds (adaptor seat Ø 15 mm)

- R179EY053: 1/2" x (16 x 2,2)
- R179EY054: 1/2" x (16 x 2)
- RM179Y103: 1/2" x (16 x 2)

Adaptors for 1"MF x 3/4"E manifolds

- R179EX021: 3/4"E x (12 x 1,5)
- R179EX022: 3/4"E x (16 x 1,5)
- R179EX023: 3/4"E x (14 x 2)
- R179EX024: 3/4"E x (16 x 2)
- R179EX025: 3/4"E x (17 x 2)
- R179EX026: 3/4"E x (18 x 2)
- R179EX027: 3/4"E x (20 x 2)
- RM179X103: 3/4"E x (16 x 2)
- RM179X106: 3/4"E x (20 x 2)

Plastic cabinet R599

R599Y001: 400 x 300 x 90 mm

R598K support kit for R599 cabinet

- R598KY001: 3/4"
- R598KY002: 1"

Plastic cabinet R595

- R595AY001: 370 x 300 x 90 mm
- R595BY001: 520 x 300 x 90 mm
- R595CY001: 670 x 300 x 90 mm

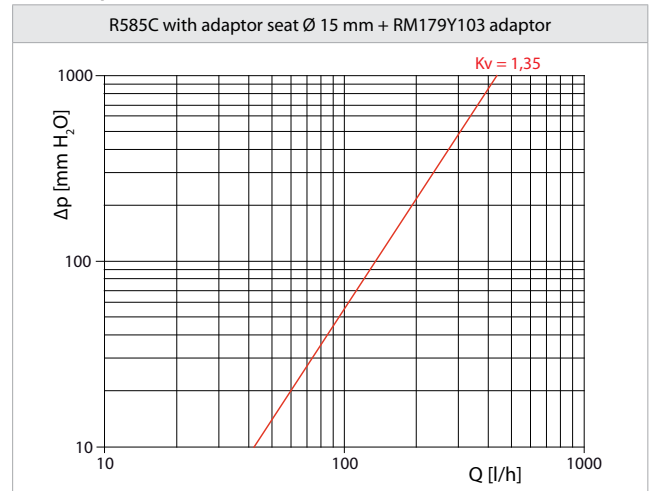
R598 support kit for R595 cabinet

R598Y007: 3/4"

Technical data

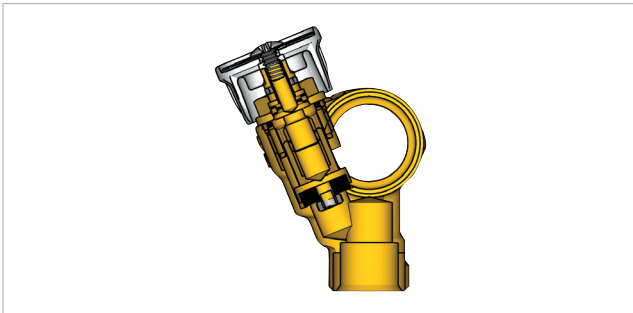
- Temperature range: 5÷100 °C
- Max. working pressure: 10 bar
- Outputs centre distance for 3/4"MF x 1/2" manifolds: 35 mm
- Outputs centre distance for 1"MF x 3/4"E manifolds: 40 mm

Losses of pressure





Main features



The manifolds are produced using a moulded body, which gives them a combination of extreme solidity and reduced roughness, obtained by machining to remove burrs on all interior surfaces. When looking at a cross-section of the R585C manifold, it is evident that the connecting sections have been designed to obtain the widest passage possible.

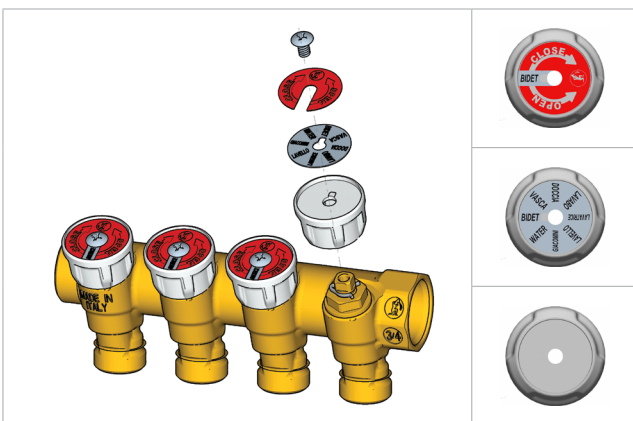
In addition, the reliability of the shutter closure is guaranteed by the presence of an EPDM gasket for the front seal.

The shut-off valve is made in two pieces, so the bulk of the manifold is independent of the shutter position and does not obstruct it; this feature ensures that under normal operating conditions (i.e. with the shut-off valves fully or partially open) the handwheels do not prevent the containment cabinet door from closing properly.

On modular manifolds R585C and R580C, no surface finishing treatment is used, with a view to minimizing the amount of impurities in the alloy, thus complying with the requirements set out by the European Directive EC 98/83, adopted in Italy with the Ministry of Health Decree of April 6 2004, no. 174 - "Regulation on the materials and articles which can be used in fixed systems for the collection, treatment, supply and distribution of water intended for human consumption", as published in O.J. no. 166 on 17 July 2004, and which entered into force on 17 July 2007. The handwheels, connected to the shut-off valve with a screw, feature two plates:

- one of these plates indicates the corresponding user (with writing in English on one side and Italian on the other).
- the other plate is superimposed over the previous one, and is blue on one side and red on the other, so that users can immediately see whether the manifold is circulating hot water or cold water.


This also allows to optimise the quantity of products in the warehouse.



Adaptors for connecting piping to the manifold outputs

R179EY053 - R179EY054 R179EY055 - R179EY056 - R179EY058	RM179Y103 - RM179Y113

Note.
With manifolds: R580CY032, R580CY033, R580CY034, R585CY032, R585CY033, R585CY034 (adaptor seat Ø 15 mm) **only adaptors R179EY053, R179EY054 or RM179Y103 can be used.**

 With manifolds: R580CY062, R580CY063, R580CY064, R585CY062, R585CY063, R585CY064 (adaptor seat Ø 16 mm) **only adaptors R179EY055, R179EY056, R179EY058 or RM179Y113 can be used.**

With manifolds: R580CY052, R580CY053, R580CY054 **only adaptors R179EX021, R179EX022, R179EX023, R179EX024, R179EX025, R179EX026, R179EX027, RM179X103 or RM179X106 can be used.**

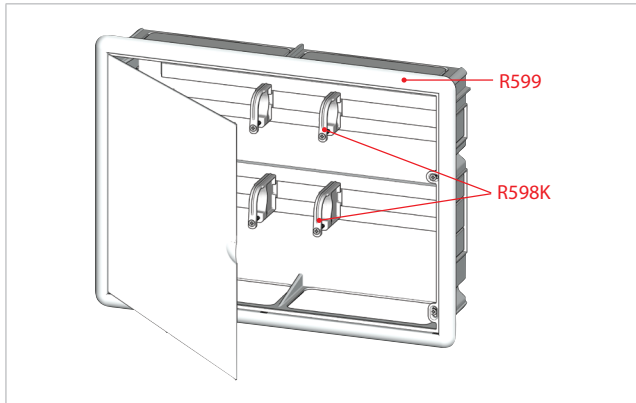


Installation

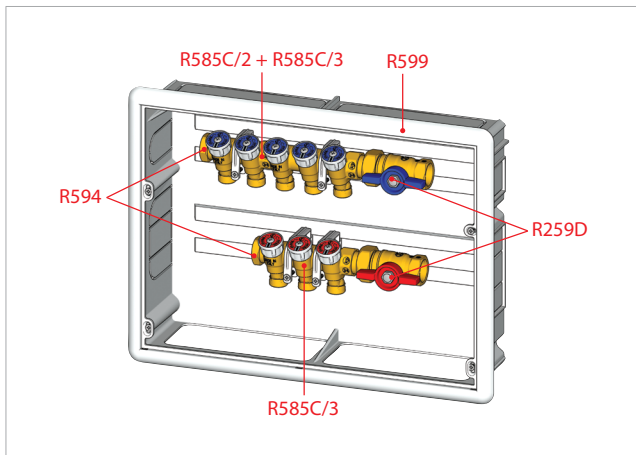
R599 cabinet installation

The assembly of the manifolds inside the R599 cabinet using the appropriate R598K sliding supports is carried out using horizontal guide rails, and therefore without constraints on positioning.

In addition, by taking advantage of the large openings in the lower part of the cabinet, users can easily install manifolds with different centre distances. The cabinet door can be opened without the need of special tools, with a view to enabling rapid intervention to be carried out on the shut-off valves, whilst closure is maintained by the solid joints attached to the surface of the frame.



Example



In the example, R585C manifolds with R594 terminal plugs and R259D ball valves are illustrated, mounted inside cabinet R599.

For cold sanitary water, 2 R585C manifolds were used (one manifold with 2 units and one with 3 units) assembled in series one beside the other, in order to obtain 5 units overall for cold sanitary water uses.

For hot sanitary water uses, on the other hand, a single 3 unit manifold was used.

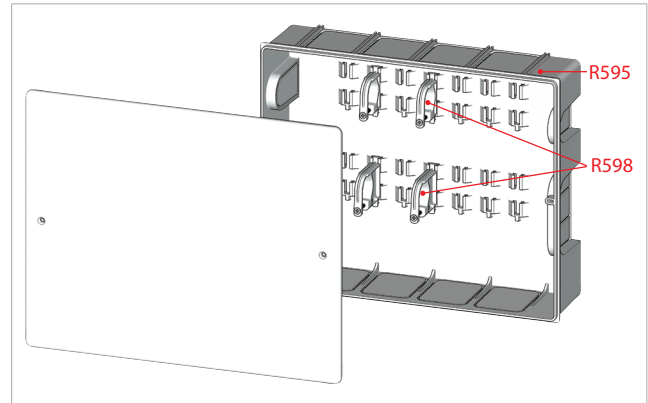
R595 cabinet installation



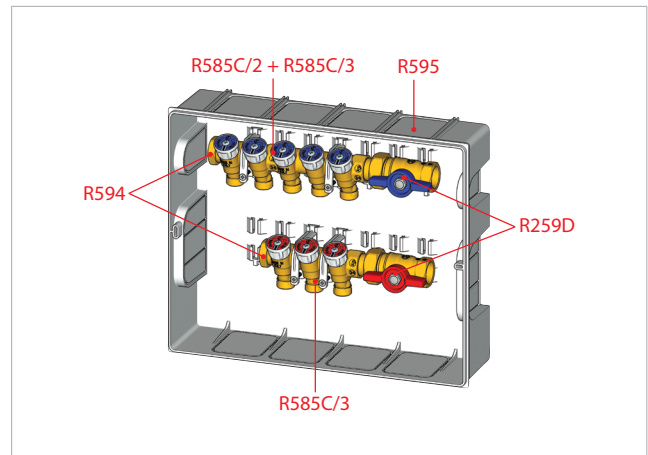
Warning.

In the R595 cabinets can be fitted only the manifolds of 3/4" size and centre distance of 35 mm.

The manifolds (3/4", centre distance 35 mm) can also be assembled in R595 cabinets, using the R598 supports. In this case, the supports are attached to the fixed guides in the cabinet, for this reason only manifolds with a centre distance of 35 mm can be fitted into these cabinets. The opening and closure of the door is performed by loosening and tightening the screws provided with the cabinet.



Example



The example illustrates the R585C manifolds with R594 terminal plugs and R259D ball valves, mounted inside cabinet R595.

For cold sanitary water, 2 R585C manifolds were used (one manifold with 2 units and one with 3 units) assembled in series one beside the other, in order to obtain 5 units overall for cold sanitary water uses.

For hot sanitary water uses, on the other hand, a single 3 unit manifold was used.



Dimensions

R580C

Product code	Size A x B	C	Ø [mm]	D [mm]	E [mm]	F [mm]	G [mm]	I [mm]	K [mm]	L [mm]
R580CY032	3/4" M x 3/4" F	1/2"	15	23,5	23,5	28,5	45	35	31	82
R580CY033										117
R580CY034										152
R580CY062		1/2"	16	23,5	23,5	28,5	45	35	31	82
R580CY063										117
R580CY064										152
R580CY052	1" M x 1" F	3/4" E	18	26	26	33	53	40	38	92
R580CY053										132
R580CY054										172

R585C

Product code	Size A x B	C	Ø [mm]	D [mm]	E [mm]	F [mm]	G [mm]	I [mm]	K [mm]	L [mm]
R585CY032	3/4" M x 3/4" F	1/2"	15	23,5	23,5	28,5	69	35	31	82
R585CY033										117
R585CY034										152
R585CY062	3/4" M x 3/4" F	1/2"	16	23,5	23,5	28,5	69	35	31	82
R585CY063										117
R585CY064										152

R599

Product code	A [mm]	B [mm]	C [mm]	D [mm]
R599Y001	417	304	110	90

R595

Product code	A [mm]	B [mm]	C [mm]	D [mm]
R595AY001	370	300	110	90
R595BY001	520	300	110	90
R595CY001	670	300	110	90

Product specifications

R580C

Simple modular manifold in brass. With connections for adaptors for copper, plastic or multilayer pipe. Temperature range 5÷110 °C. Max. working pressure 10 bar. Available with 3/4"MF connection and 1/2" outputs with 35 mm of centre distance or 1"MF connection and 3/4"E outputs with 40 mm of centre distance.

R585C

Simple modular manifold for sanitary installations, with shut-off valves. In brass. With connections for adaptors for copper, plastic or multilayer pipe. Temperature range 5÷100 °C. Max. working pressure 10 bar. Available with 3/4"MF connection and 1/2" outputs with 35 mm of centre distance.

R599

Plastic cabinet with door and frame. Door closure with bayonet connection without screw fixture. For manifolds R580C, R585C.

R598K

Plastic supports for manifolds R580C, R585C. For use with cabinet R599.

R595

Plastic cabinet with door. Door closure with fixing screws. For R580C, R585C manifolds with centre distance of 35 mm.

R598

Plastic supports for manifolds R580C, R585C. For use with cabinet R595.

Additional information

For additional information please check the website www.giacomini.com or contact the technical service: ☎ +39 0322 923372 📠 +39 0322 923255 ✉ consulenza.prodotti@giacomini.com
This pamphlet is merely for information purposes. Giacomini S.p.A. retains the right to make modifications for technical or commercial reasons, without prior notice, to the items described in this pamphlet. The information described in this technical pamphlet does not exempt the user from following carefully the existing regulations and norms on good workmanship.
Giacomini S.p.A. Via per Alzo, 39 - 28017 San Maurizio d'Opaglio (NO) Italy