

BALL VALVES

0597EN December 2013

STANDARD PORT BALL VALVE WITH PROBE HOLDER.
FOR PLUMBING SYSTEMS.
R259T SERIES



GIACOMINI
WATER E-MOTION



R259T

Description

Ball valve with female-tail piece male connections and probe holder. For plumbing systems. Chrome-plated brass or brass finish. Standard port. Aluminium T handle (red).

Versions and product codes

Product code	Size	Version	Use	Handle color
R259TX005	3/4"F x 3/4"M	Chrome-plated	Plumbing systems	Red
R259TX006	3/4"F x 1"M			
R259TX007	1"F x 1"M			
R259TY005	3/4"F x 3/4"M	Brass finish		
R259TY006	3/4"F x 1"M			
R259TY007	1"F x 1"M			

Technical data

Main features and materials

- Suitable for plumbing systems.
- Connections: F (ISO 228) x tail piece M (ISO 228).
- Standard port.
- UNI EN 12165 CW617N chrome-plated or brass finish valve.
- Stem with double O-ring.
- Nut with anti-corrosion coating, with guarantee seal and hologram.
- Painted aluminium T handle (red).
- Female probe holder connection M10x1, for probe with Ø 6 mm max.

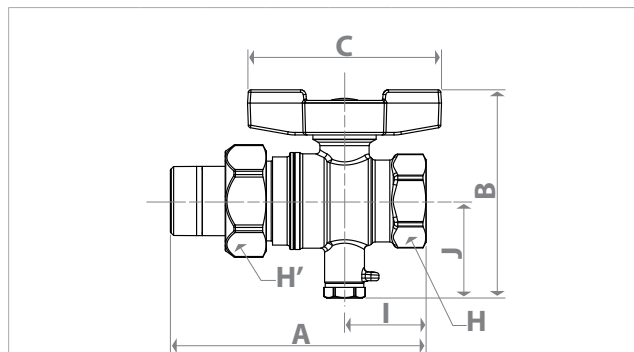
Field of applications

- Max. working pressure at 20 °C with water and not dangerous gas:
4,2 MPa (42 bar) for 3/4"
3,5 MPa (35 bar) for 1"
- Temperature range -20÷120 °C (-20 °C with 50 % glycol solutions)

Valves Kv

Size	Kv
3/4"F	18,5
1"F	36,3

Dimensions



Size	DN	A [mm]	I [mm]	B [mm]	J [mm]	C [mm]	H [mm]	H' [mm]
3/4"F x 3/4"M	18	97	31	79	37	73	32	38
3/4"F x 1"M	18	101	31	80	38	73	32	46
1"F x 1"M	22	110	38	82	36	73	39	46

Product specifications

R259T

Ball valve with female-tail piece male connections. For plumbing systems. Chrome-plated brass or brass finish. Standard port. Painted aluminium T handle (red). Stem with double O-ring. Nut with anti-corrosion coating, with guarantee seal and hologram. Female probe holder connection M10x1, for probe with Ø 6 mm max. Max. working pressure at 20 °C with water and not dangerous gas: 4,2 MPa (42 bar) for 3/4"; 3,5 MPa (35 bar) for 1". Temperature range -20÷120 °C (-20 °C with 50 % glycol solutions).

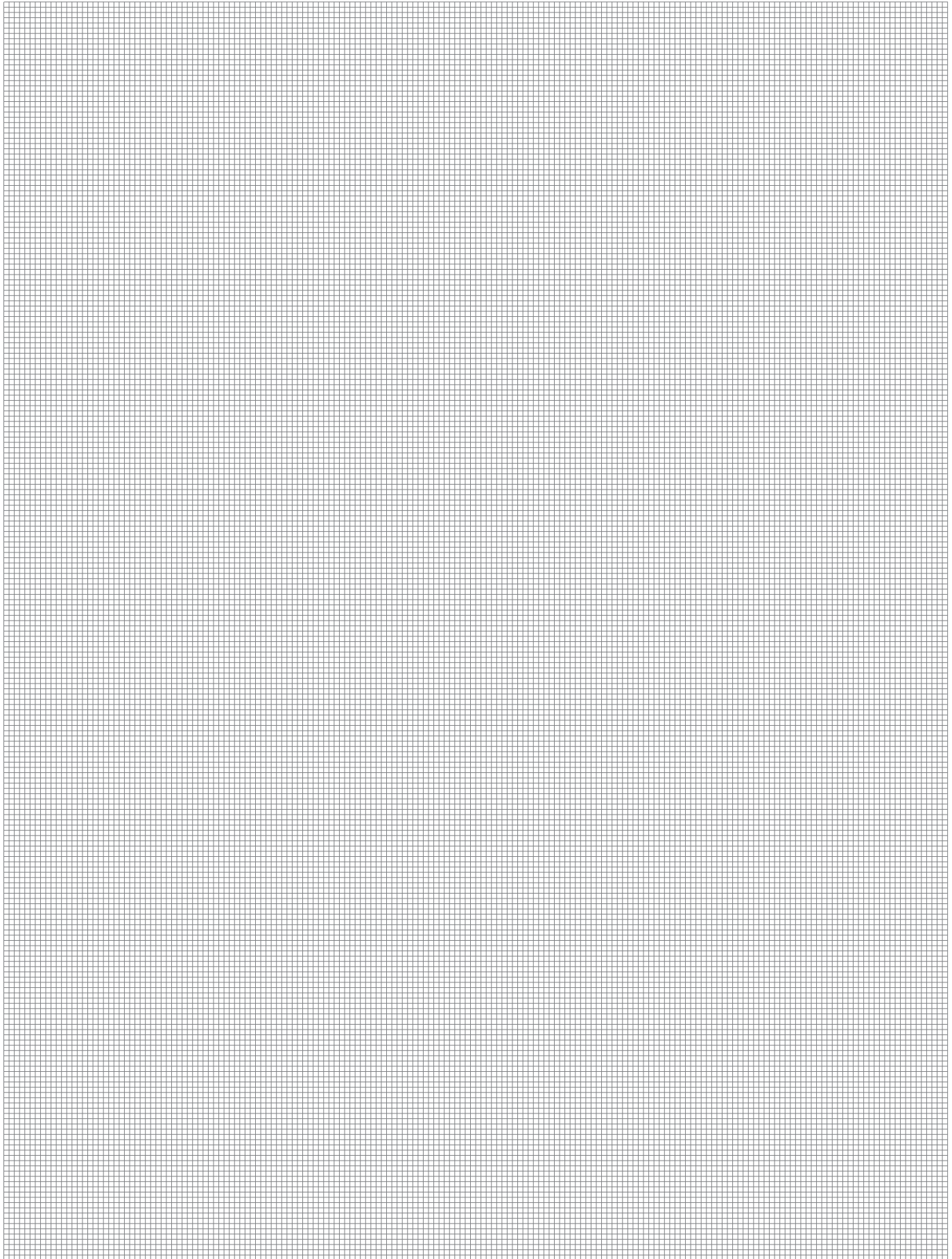
BALL VALVES

0597EN December 2013

STANDARD PORT BALL VALVE WITH PROBE HOLDER.
FOR PLUMBING SYSTEMS.
R259T SERIES



GIACOMINI
WATER E-MOTION



Additional information

For additional information please check the website www.giacomini.com or contact the technical service: ☎ +39 0322 923372 📠 +39 0322 923255 ✉ consulenza.prodotti@giacomini.com
This pamphlet is merely for information purposes. Giacomini S.p.A. retains the right to make modifications for technical or commercial reasons, without prior notice, to the items described in this pamphlet. The information described in this technical pamphlet does not exempt the user from following carefully the existing regulations and norms on good workmanship.
Giacomini S.p.A. Via per Alzo, 39 - 28017 San Maurizio d'Opaglio (NO) Italy