

## BALL VALVES

0595EN December 2013

STANDARD PORT BALL VALVE.  
FOR PLUMBING SYSTEMS.  
R259D SERIES



**GIACOMINI**  
WATER E-MOTION



R259D

### Description

Ball valve with female-tail piece male connections. For plumbing systems. Chrome-plated brass or brass finish. Standard port. Aluminium T handle (red or blue).

### Versions and product codes

Product code	Size	Version	Use	Handle color			
R259X003	1/2"F x 1/2"M	Chrome-plated	Plumbing systems	Red			
R259X004	1/2"F x 3/4"M						
R259X005	3/4"F x 3/4"M						
R259X006	3/4"F x 1"M						
R259X007	1"F x 1"M						
R259X008	1"F x 1 1/4"M						
R259X009	1 1/4"F x 1 1/4"M						
R259Y005	3/4"F x 3/4"M				Brass finish		Blue
R259Y007	1"F x 1"M						
R259Y009	1 1/4"F x 1 1/4"M						
R259Y025	3/4"F x 3/4"M						
R259Y027	1"F x 1"M						
R259Y029	1 1/4"F x 1 1/4"M						

### Technical data

#### Main features and materials

- Suitable for plumbing systems.
- Connections: F (ISO 228) x tail piece M (ISO 228).
- Standard port.
- UNI EN 12165 CW617N chrome-plated or brass finish valve.
- Stem with double O-ring.
- Nut with anti-corrosion coating, with guarantee seal and hologram.
- Painted aluminium T handle (red or blue).

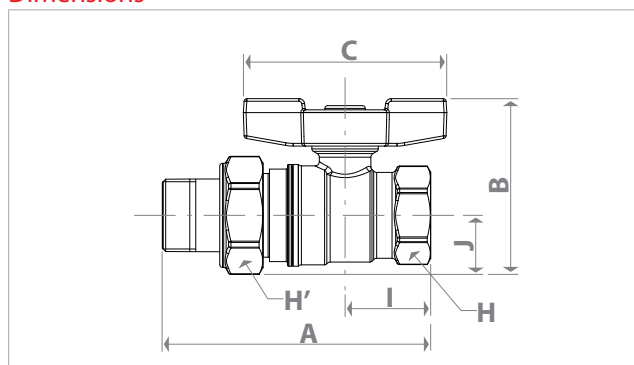
#### Field of applications

- Max. working pressure at 20 °C with water and not dangerous gas: 4,2 MPa (42 bar) for 1/2" - 3/4" 3,5 MPa (35 bar) for 1" - 1 1/4"
- Minimum working temperature: -20 °C with 50 % glycol solutions
- Max. working conditions with dry saturated steam: 185 °C with 1,05 MPa (10,5 bar)

### Valves Kv

Size	Kv
1/2"F	10,2
3/4"F	18,5
1"F	36,3
1 1/4"F	73,5

### Dimensions



Size	DN	A [mm]	I [mm]	B [mm]	J [mm]	C [mm]	H [mm]	H' [mm]
1/2"F x 1/2"M	14	86	27	53	17	63	25	30
1/2"F x 3/4"M	14	87	27	57	21	63	25	38
3/4"F x 3/4"M	18	96	31	63	21	73	32	38
3/4"F x 1"M	18	101	31	67	26	73	32	46
1"F x 1"M	22	110	38	72	26	73	39	46
1"F x 1 1/4"M	22	114	38	76	30	73	39	53
1 1/4"F x 1 1/4"M	28	125	42	80	30	73	48	53

### Product specifications

#### R259D

Ball valve with female-tail piece male connections. For plumbing systems. UNI EN 12165 CW617N chrome-plated brass or brass finish. Standard port. Painted aluminium T handle (red or blue). Stem with double O-ring. Nut with anti-corrosion coating, with guarantee seal and hologram. Max. working pressure at 20 °C with water and not dangerous gas: 4,2 MPa (42 bar) for 1/2" - 3/4"; 3,5 MPa (35 bar) for 1" - 1 1/4". Minimum working temperature: -20 °C with 50 % glycol solutions. Max. working conditions with dry saturated steam: 185 °C with 1,05 MPa (10,5 bar).

## BALL VALVES

0595EN December 2013

STANDARD PORT BALL VALVE.  
FOR PLUMBING SYSTEMS.  
R259D SERIES



**GIACOMINI**  
WATER E-MOTION



### Additional information

For additional information please check the website [www.giacomini.com](http://www.giacomini.com) or contact the technical service: ☎ +39 0322 923372 📠 +39 0322 923255 ✉ [consulenza.prodotti@giacomini.com](mailto:consulenza.prodotti@giacomini.com)  
This pamphlet is merely for information purposes. Giacomini S.p.A. retains the right to make modifications for technical or commercial reasons, without prior notice, to the items described in this pamphlet. The information described in this technical pamphlet does not exempt the user from following carefully the existing regulations and norms on good workmanship.  
Giacomini S.p.A. Via per Alzo, 39 - 28017 San Maurizio d'Opaglio (NO) Italy