

BALL VALVES

0588EN December 2013

STANDARD PORT BALL VALVE WITH DRAIN TAP.
FOR PLUMBING SYSTEMS.
R250DS SERIES



GIACOMINI
WATER E-MOTION



R250DS

Description

Ball valve with female-female connections and drain tap. For plumbing systems. Chrome-plated brass. Standard port. Steel lever handle (red).

Versions and product codes

Product code	Size	Drain tap size	Use	Handle color
R250SX003	1/2"	1/4"	Plumbing systems	Red
R250SX004	3/4"	1/4"		
R250SX005	1"	1/4"		
R250SX006	1 1/4"	3/8"		
R250SX007	1 1/2"	3/8"		
R250SX008	2"	3/8"		

Technical data

Main features and materials

- Suitable for plumbing systems.
- Connections: F x F (ISO 228).
- Standard port.
- UNI EN 12165 CW617N chrome-plated valve.
- Stem with double O-ring.
- Nut with anti-corrosion coating, with guarantee seal and hologram.
- Stell lever handle (red), with pvc anti-corrosion coating.
- Drain tap with M threaded, with hose connection \varnothing 9 mm.

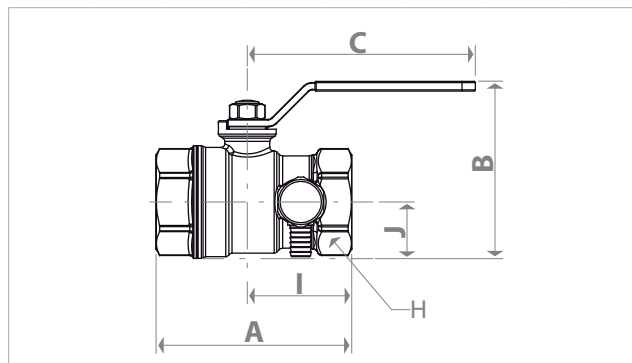
Field of applications

- Max. working pressure at 20 °C with water and not dangerous gas:
4,2 MPa (42 bar) for 1/2" - 3/4"
3,5 MPa (35 bar) for 1" - 1 1/4" - 1 1/2" - 2"
- Temperature range -20÷120 °C (-20 °C with 50 % glycol solutions)

Valves Kv

Size	Kv
1/2"	10,2
3/4"	18,5
1"	36,3
1 1/4"	73,5
1 1/2"	105
2"	158

Dimensions



Size	DN	A [mm]	I [mm]	B [mm]	J [mm]	C [mm]	H [mm]
1/2"	14	59	32	49	15	77	25
3/4"	18	69	36	64	18	94	32
1"	22	81	43	73	23	94	39
1 1/4"	28	98	56	82	28	94	48
1 1/2"	35	107	60	100	33	136	55
2"	45	121	67	115	41	136	67

Product specifications

R250DS

Ball valve with female-female connections. For plumbing systems. UNI EN 12165 CW617N chrome-plated brass. Standard port. Stell lever handle (red), with pvc anti-corrosion coating. Stem with double O-ring. Nut with anti-corrosion coating, with guarantee seal and hologram. Drain tap with M threaded, with hose connection \varnothing 9 mm: 1/4" for 1/2" - 3/4" - 1"; 3/8" for 1 1/4" - 1 1/2" - 2". Max. working pressure at 20 °C with water and not dangerous gas: 4,2 MPa (42 bar) for 1/2"- 3/4"; 3,5 MPa (35 bar) for 1" - 1 1/4" - 1 1/2" - 2". Temperature range -20÷120 °C (-20 °C with 50 % glycol solutions).

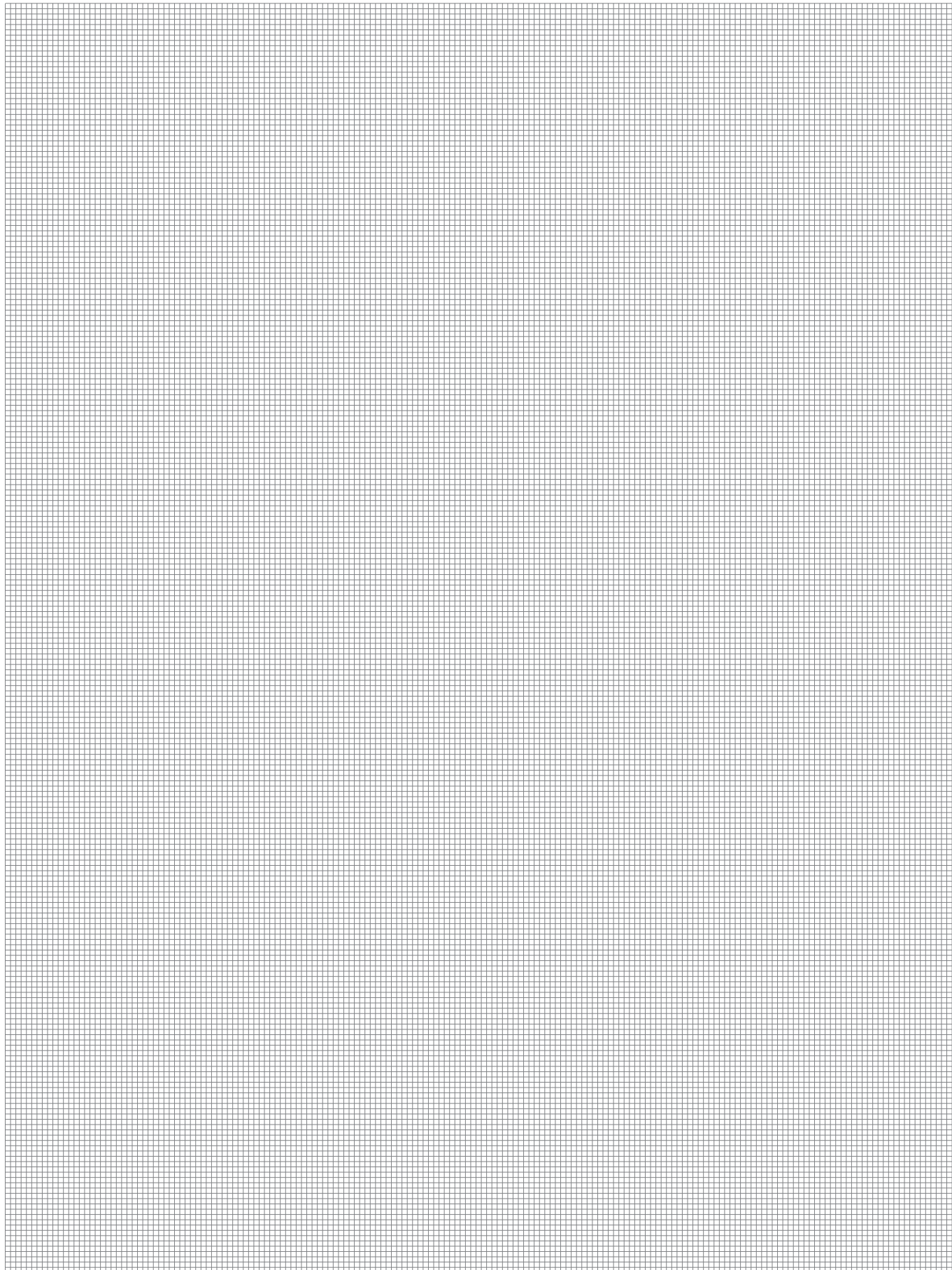
BALL VALVES

0588EN December 2013

STANDARD PORT BALL VALVE WITH DRAIN TAP.
FOR PLUMBING SYSTEMS.
R250DS SERIES



GIACOMINI
WATER E-MOTION



Additional information

For additional information please check the website www.giacomini.com or contact the technical service: ☎ +39 0322 923372 📠 +39 0322 923255 ✉ consulenza.prodotti@giacomini.com
This pamphlet is merely for information purposes. Giacomini S.p.A. retains the right to make modifications for technical or commercial reasons, without prior notice, to the items described in this pamphlet. The information described in this technical pamphlet does not exempt the user from following carefully the existing regulations and norms on good workmanship.
Giacomini S.p.A. Via per Alzo, 39 - 28017 San Maurizio d'Opaglio (NO) Italy